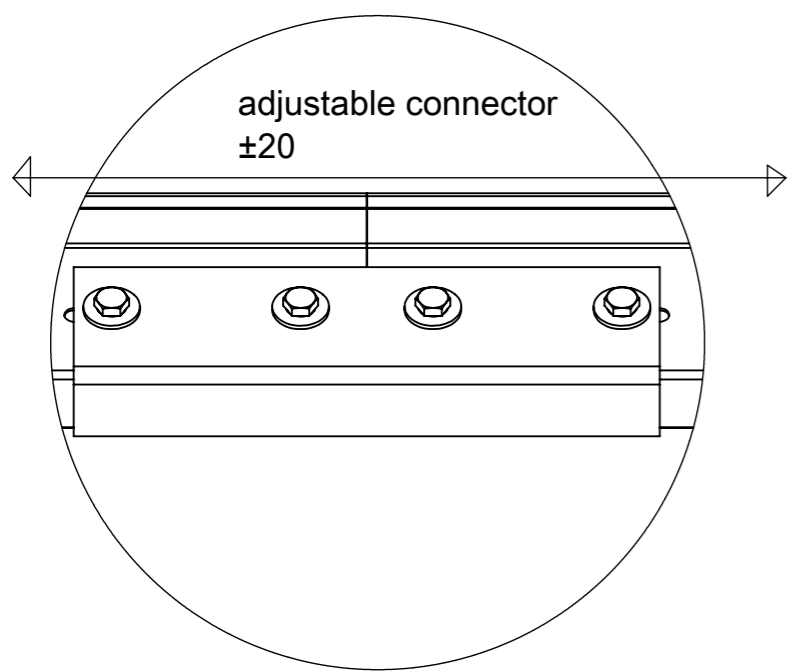
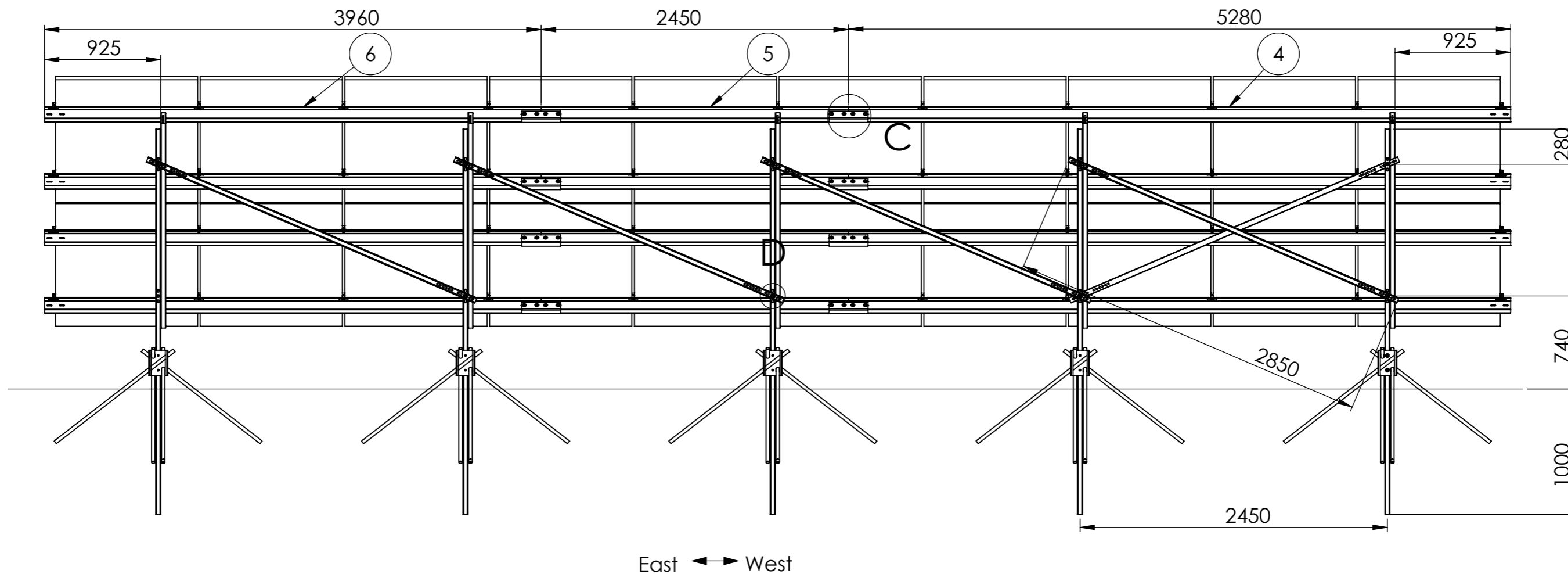
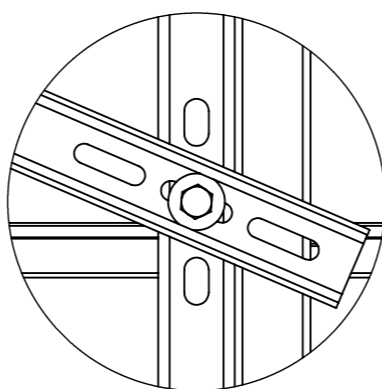


2x10 Table



DETAY C
ÖLÇEK 1 : 4



DETAY D
ÖLÇEK 1 : 4

When positioning the purlin, the distance between the two slots should be +20 mm from the shorter side of the panel. This positioning can be done using an L310 connecto