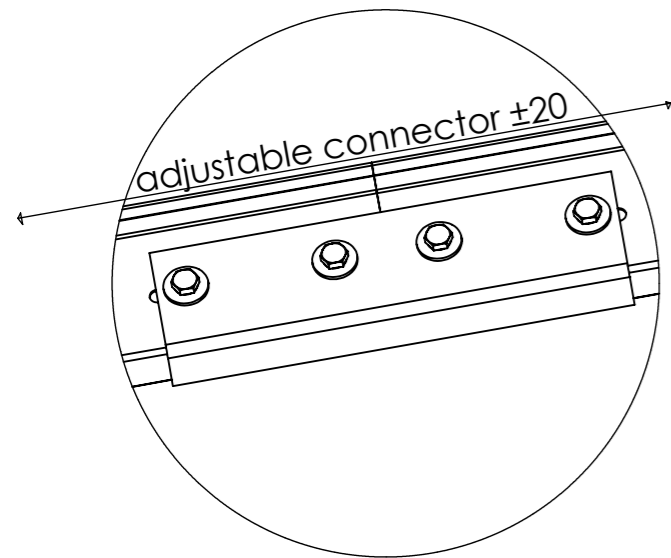
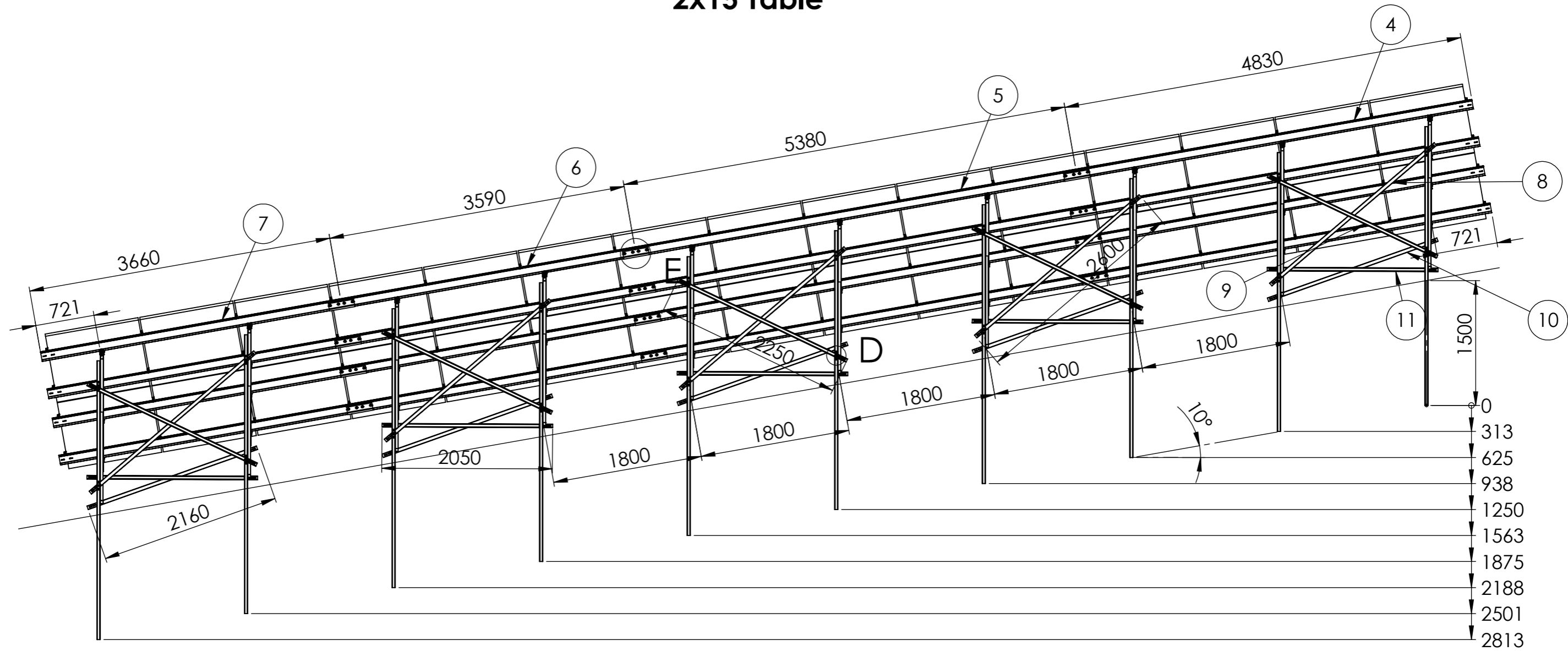
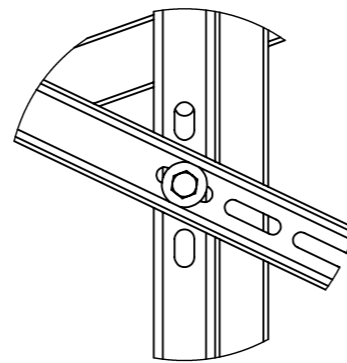


2x15 Table



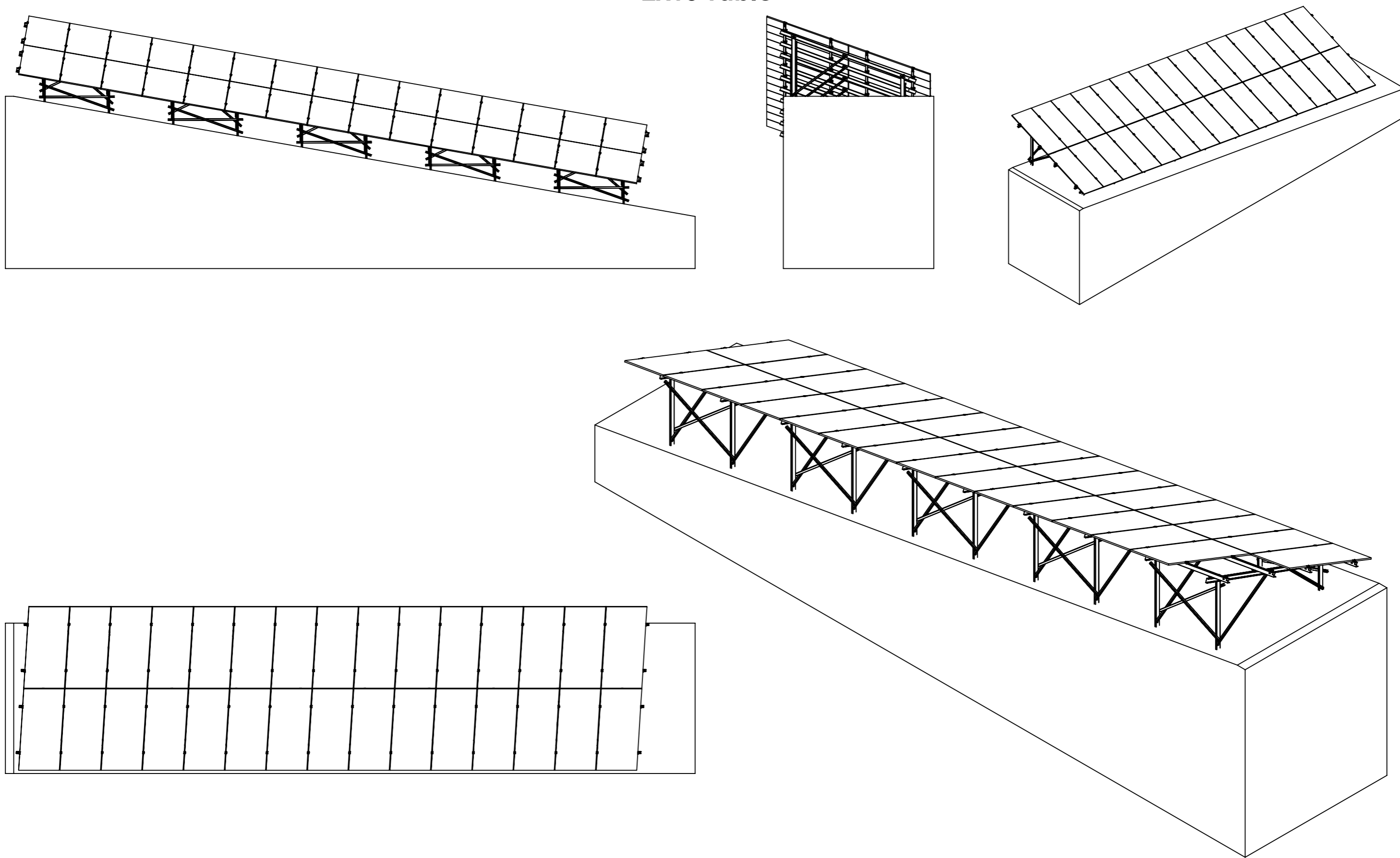
DETAIL E
SCALE 1 : 5



DETAIL D
SCALE 1 : 5

When positioning the purlin, the distance between the two slots should be +20 mm from the shorter side of the panel. This positioning can be done using an L310 connecto

2x15 Table

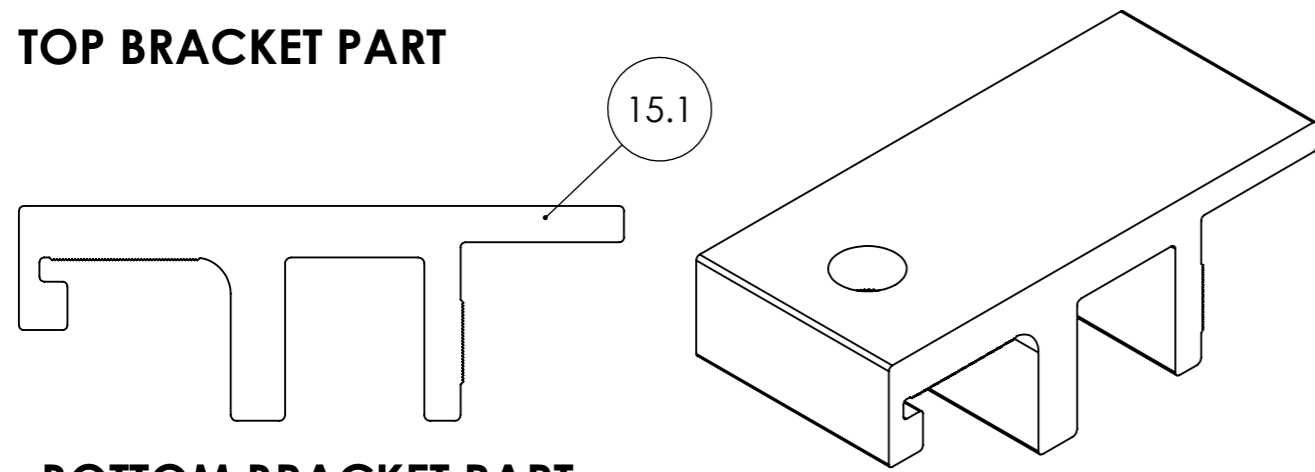


All information in this drawing belongs to ISOTEC LTD. Şti. It is forbidden to copy this drawing without written permission

System
ISOGROUND BNS-II-R

Format	Page
A3	3/6

TOP BRACKET PART



BOTTOM BRACKET PART

