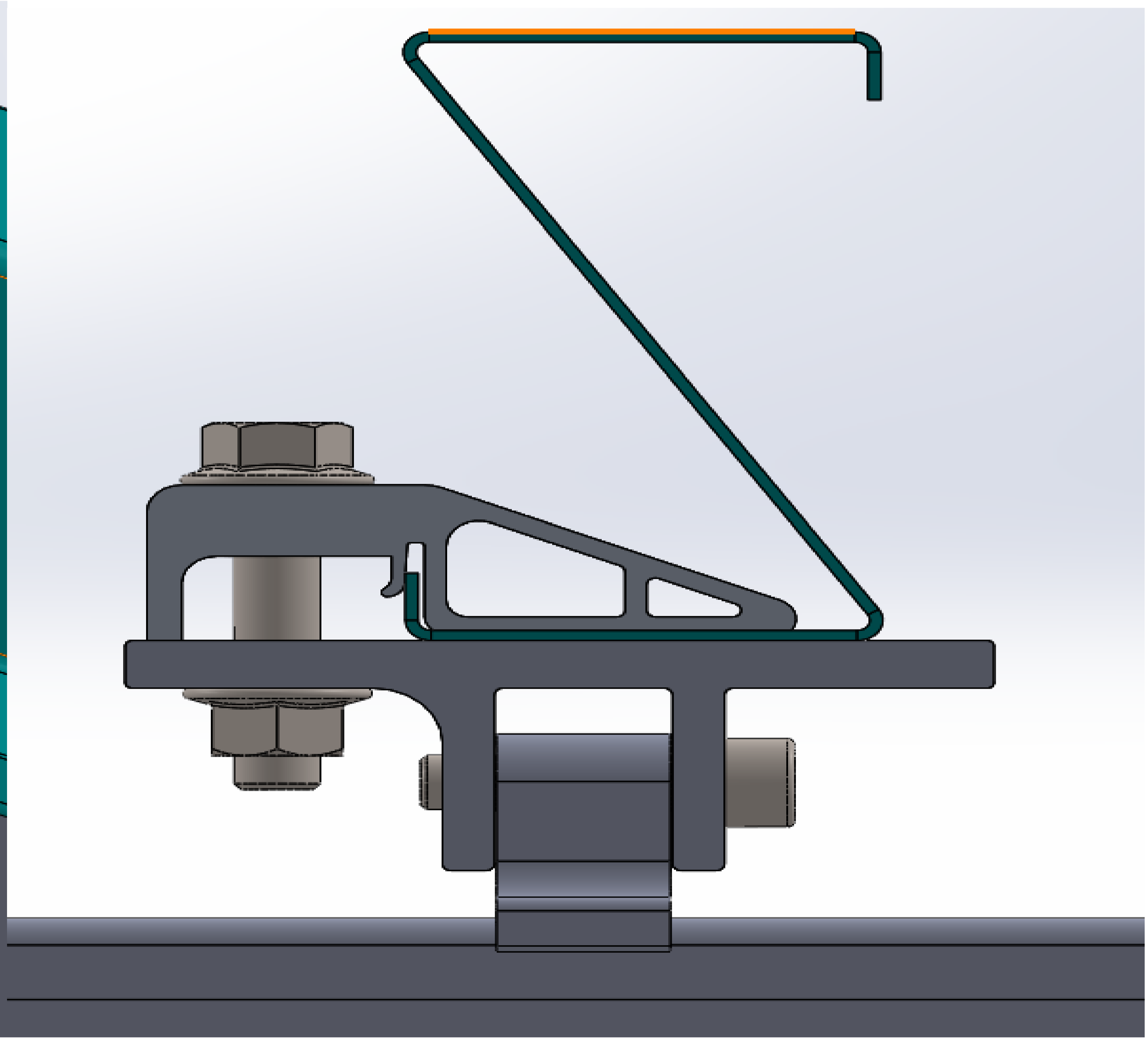
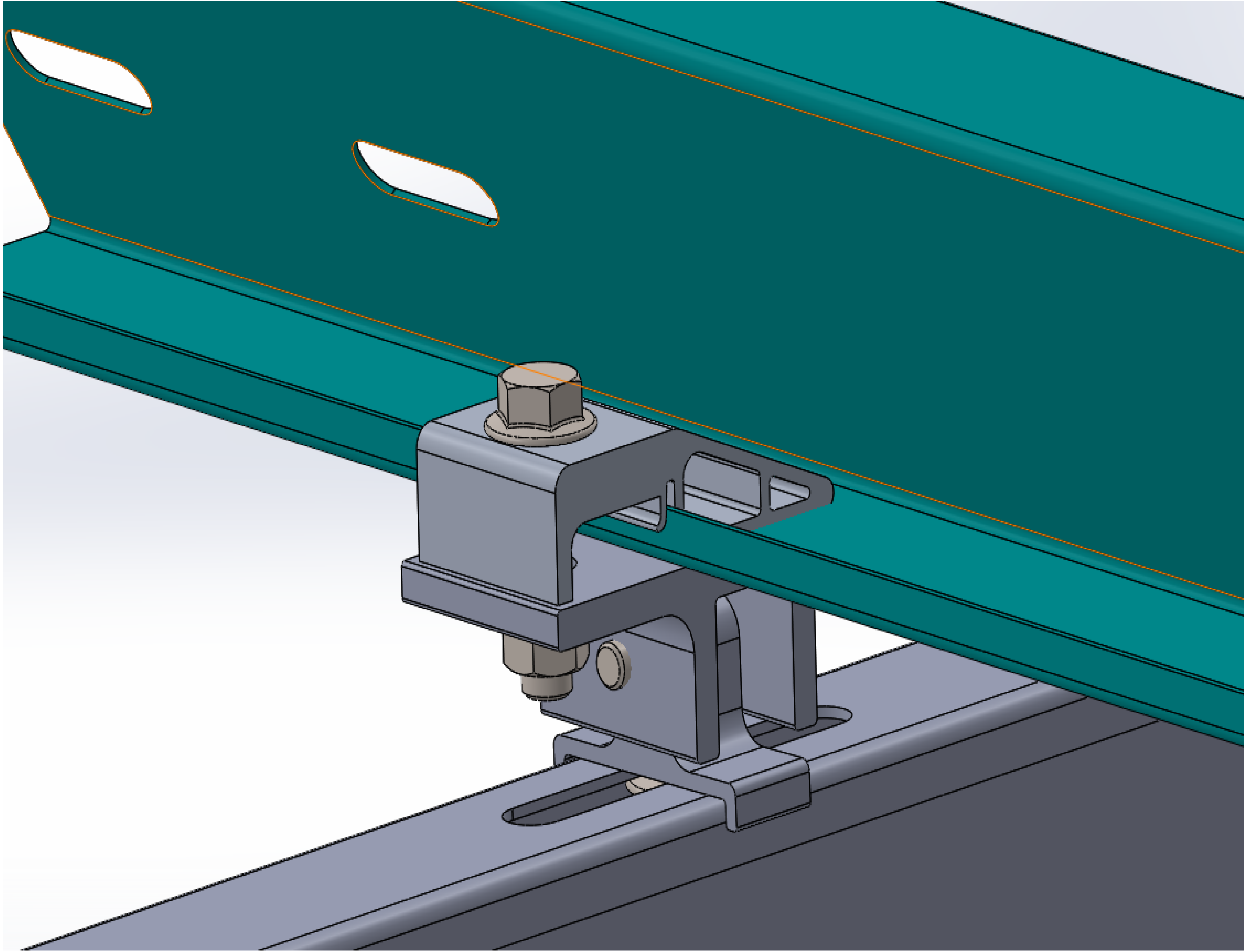


# ISOGROUND Sloping Terrain Apparatus



## Optimum Solution

- ▶ Extensive flexibility
- ▶ 100% local production
- ▶ Modular structure
- ▶ Superior safety
- ▶ Maximum strength
- ▶ Long service life
- ▶ Easy maintenance
- ▶ TS 13891 certified

