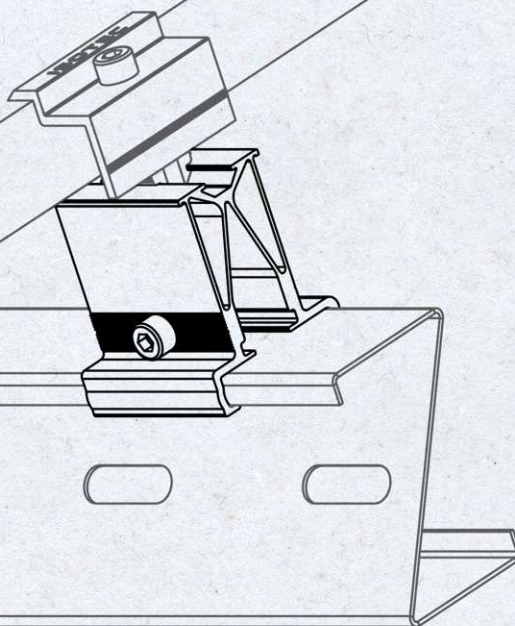


isotee

SOLAR MOUNTING SYSTEMS

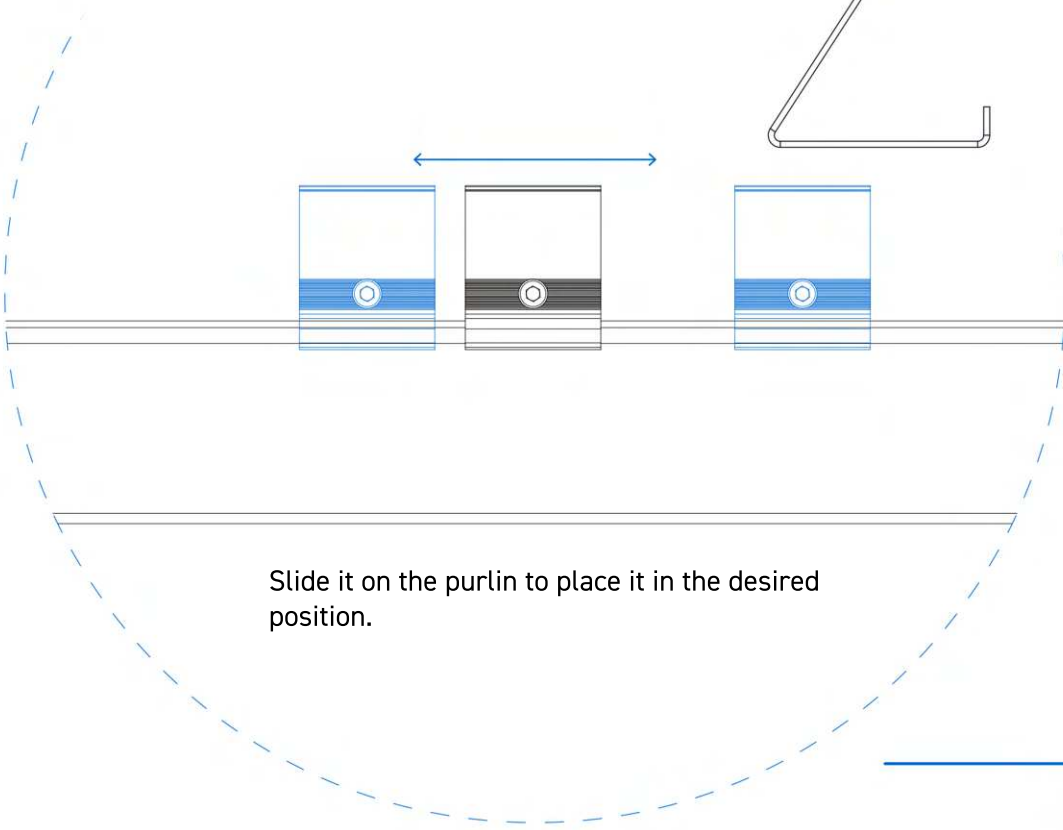
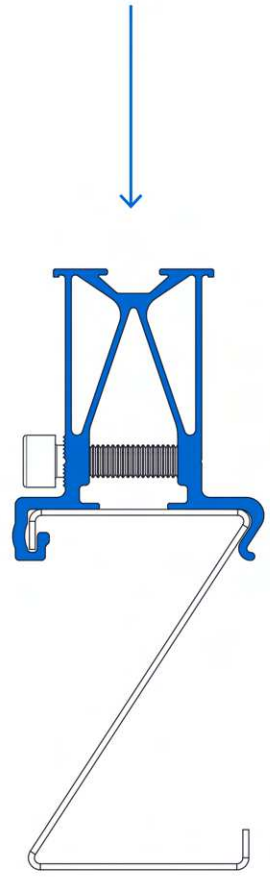
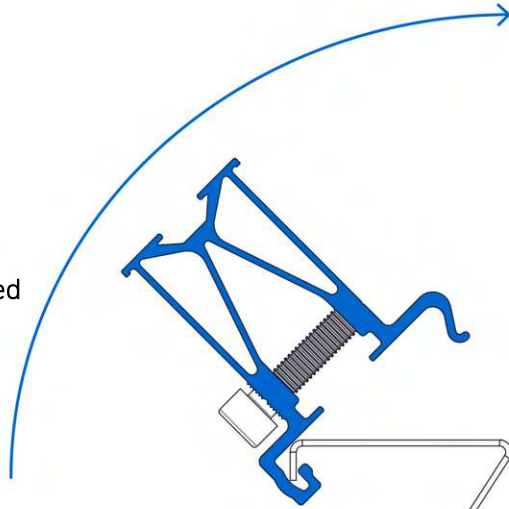


I S O G R O U N D B F C

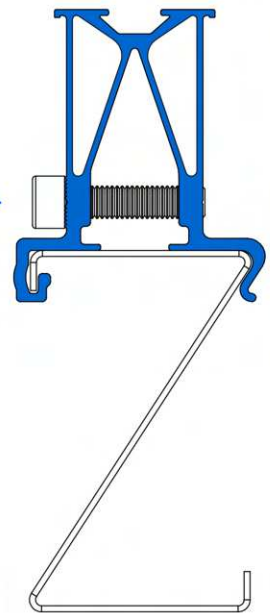
- BiFacial panel compatibility
- Fast production
- Unlimited positioning possibility

ASSEMBLY

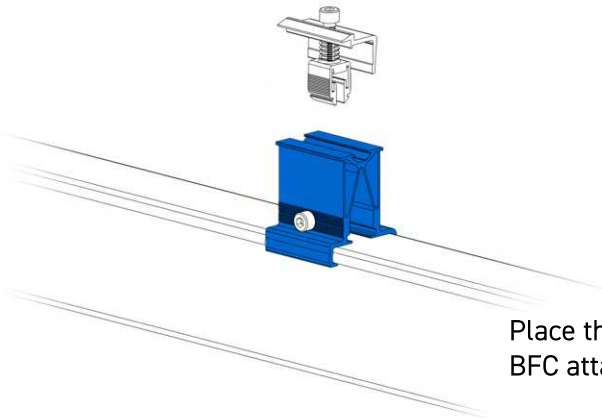
The Isoground BFC attachment is installed by turning it in the specified direction onto the Z purlin.



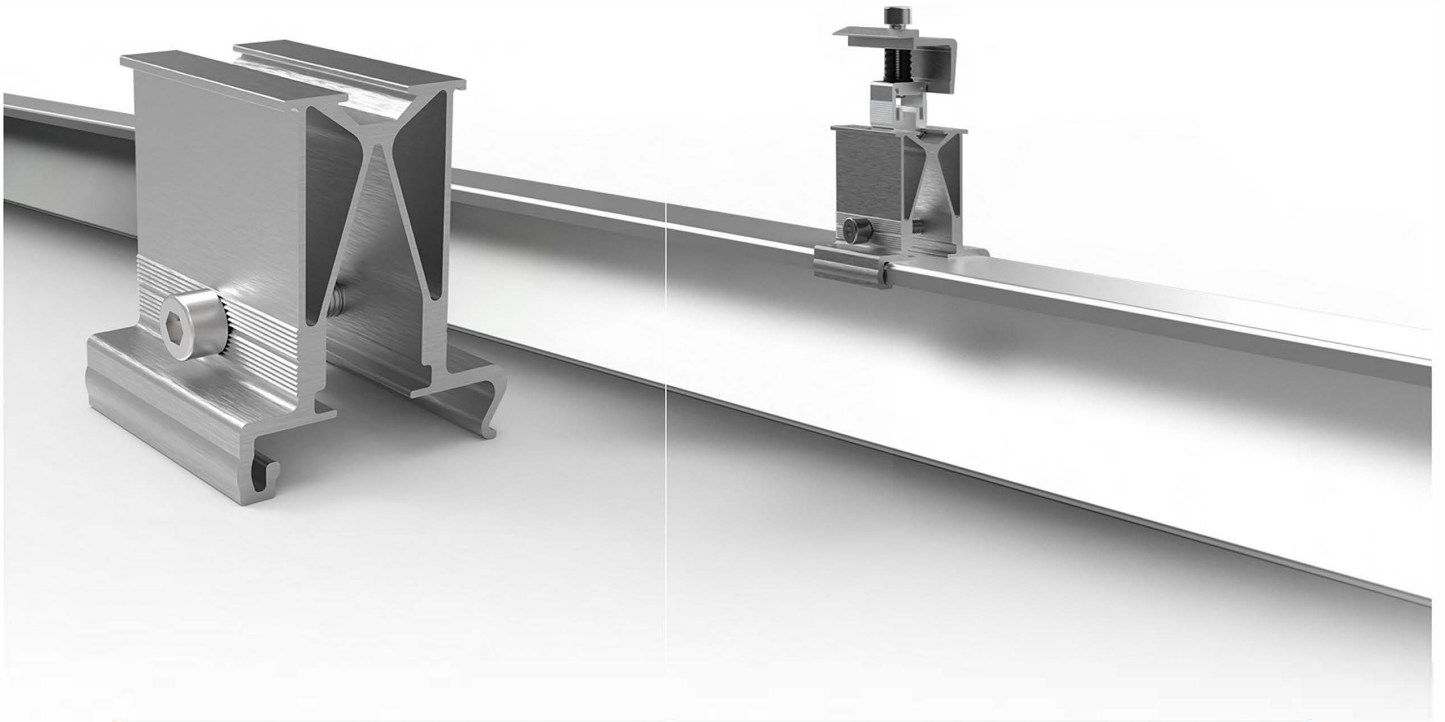
Tighten the bolt. (15-20 Nm)



Place the Easyclamps in the Isoground BFC attachment.



TECHNICAL DATA



Scope of application	Isoground Mounting Systems
Compatible PV Panel	L : 1.500 mm - 2.500 mm
	W : 990 mm - 1.330 mm
	H : 30 mm - 45 mm
Materials	Clamps : Aluminum 6063 T66
	Fasteners : Stainless A2 70
Technical specifications	Used in vertical layouts

Part Design Strength	
Pressure Force	5,65 kN
Uplift Force	3,61 kN