

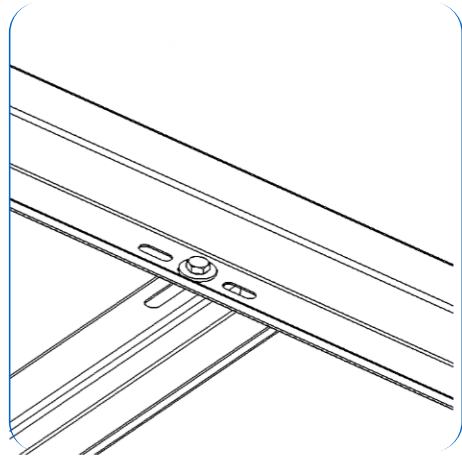
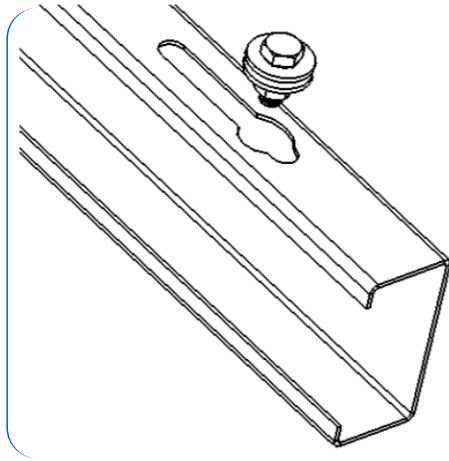
I S O G R O U N D

Fixed Ground Mounting System

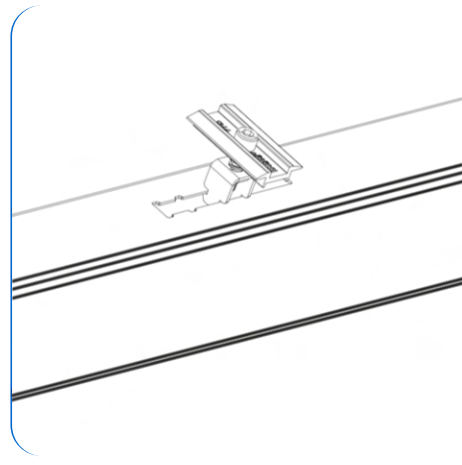
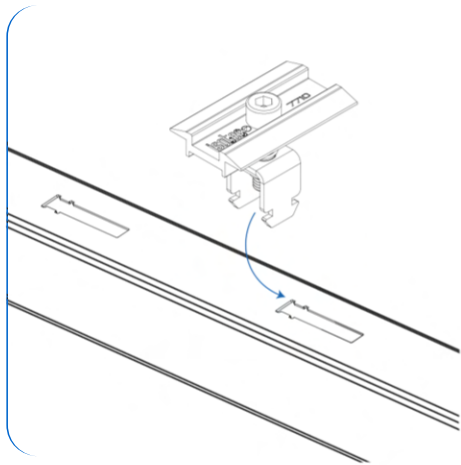
- Extensive flexibility
- Modular construction
- High security
- Maximum strength
- Long service life
- Easy maintenance

TECHNICAL DATA

Beam - Purlin Assembly

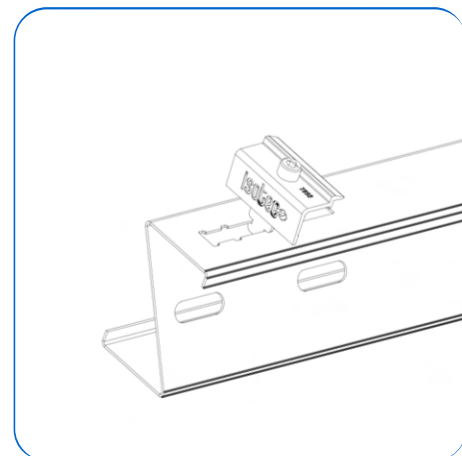
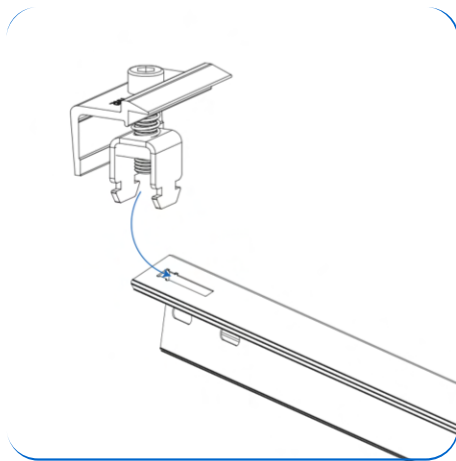


Purlin - Mid Clamp Assembly



The installation of panels onto the purlins is easily and quickly accomplished with special alloy aluminum mid clamps.

Purlin - End Clamp Assembly

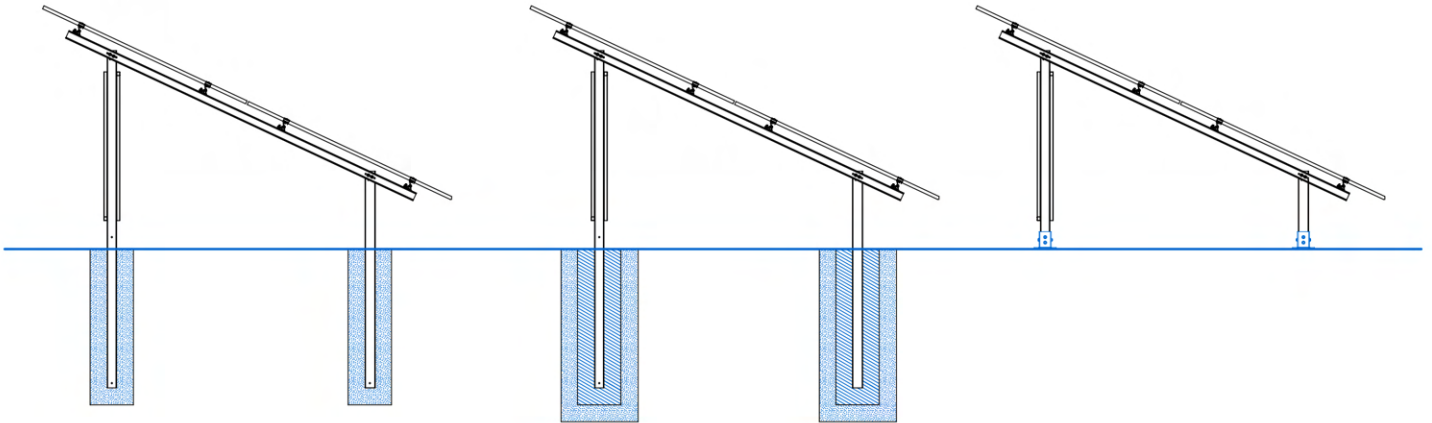


The mounting of panels onto the purlins is easily and quickly accomplished with special alloy aluminum end clamps.

TECHNICAL DATA

ISOGROUND BNS TWO

Maximum strength with two piles
Available in Portrait & Landscape Configuration
Steel Steel or Steel Aluminum options available
All fasteners are Stainless A2 quality
High strength module clamps



RAMMING

CONCRETE FOUNDATION

ANCHOR

Scope of application	Ground / Free Land
Compatible pv module	L : 1.500 mm - 2.500 mm
	W : 990 mm - 1.330 mm
	H : 30 mm - 40 mm
Foundation type	Ramming, concrete foundation , concrete pile
Material	Pile / Beam / Brace : HDG ST52 Steel
	Purlin : HDG ST52 Steel / Aluminum 6063 T66
	Rails , clamps : Aluminum 6063 T66 / EN 6005
	Fasteners : Stainless A2 70
Layout options	2 Portrait, 3 Portrait, 4 Landscape, 5 Landscape