

Sandwich & Trapezoidal Sheet Rail

Low Cost - Optimum Solution

- ▶ ISOTRAP Mini is a low cost and esay install system optimized for trapezoidal sheet metal roofs
- ▶ It can be used in Landscape orientation layout
- ▶ Max. strength is obtained trough self drilling screw
- ▶ Send with special EPDM seal between profile and sandwich panel



ISOTRAP MINI



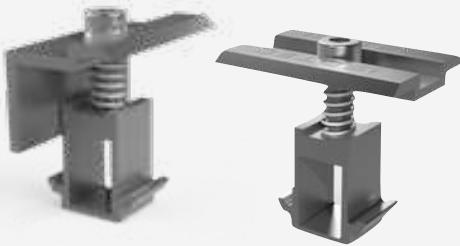
ISOTRAP Mini Profile

- ▶ Optimum strength obtained in landscape layouts
- ▶ Advantage of low cost
- ▶ Delivered with pre-assembled epdm seal



Self drilling screw

- ▶ This self drilling screw with seal, drills a hole no bigger than needed
- ▶ Fastening without swarf
- ▶ Sealing warranty



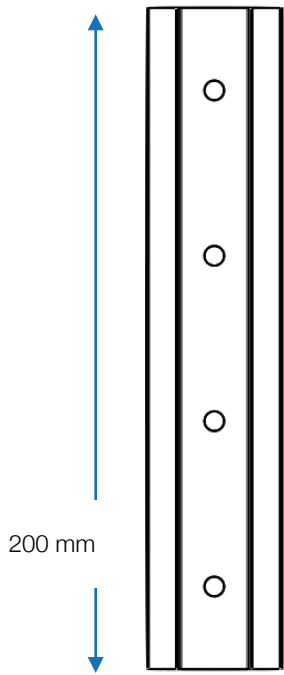
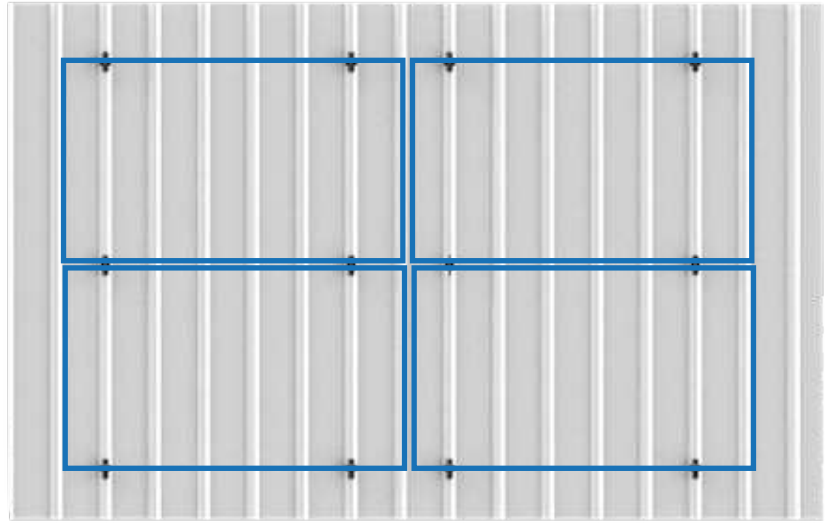
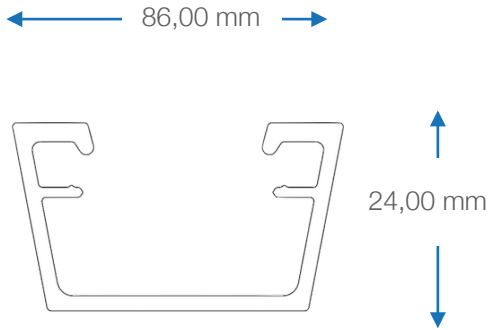
EasyClamp V1 Middle + End Clamp

- ▶ Delivered in set with integrated nut and spring. Can reduce pv module installation time up to 15%
- ▶ Compatible with all Isotec profiles. Universal clamps work with framed pv modules between 35 - 45 mm height.

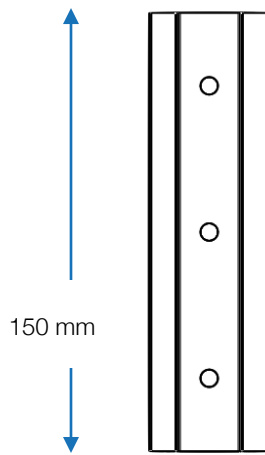
Technical Data

ISOTRAP MINI	
Scope of application	Pitched roofs with trapezoidal sheet metal or sandwich panels
Compatible Solar Panel	L: 640mm - 1960mm W: 990mm-1010mm H: 30mm - 45mm
Fixation	Self drilling screw or rivet
Dimensions	W:37mm-H:24mm-L:100, 150, 200 mm
Material	Profile and clamps : Aluminium 6063-T66 Support : Aluminium 6063-T66 : EPDM Fasteners : Stainless A2-70
Module Orientation	Landscape

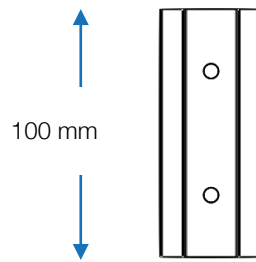
Dimensions



Item No: 5701



Item No: 5700



Item No: 5699