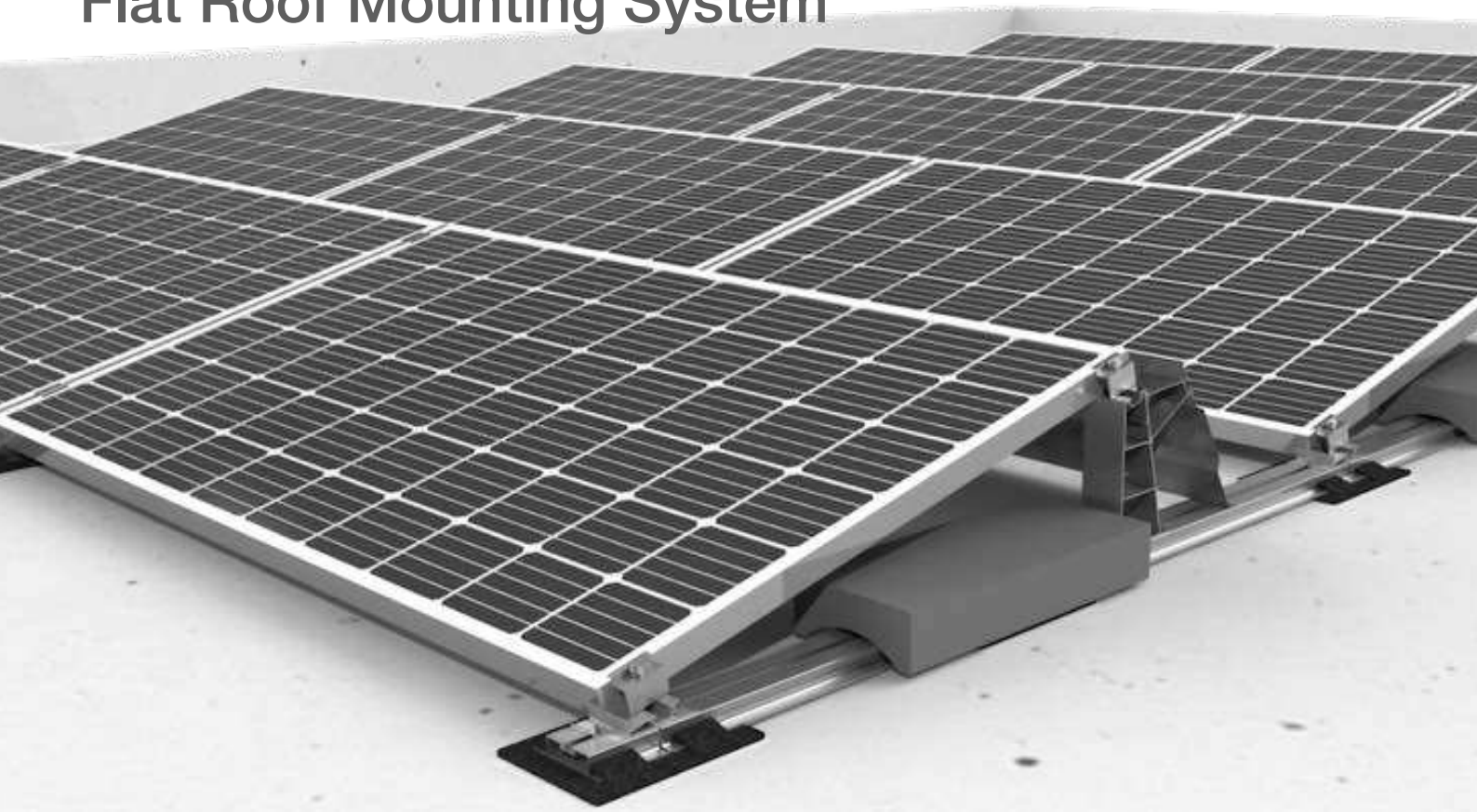
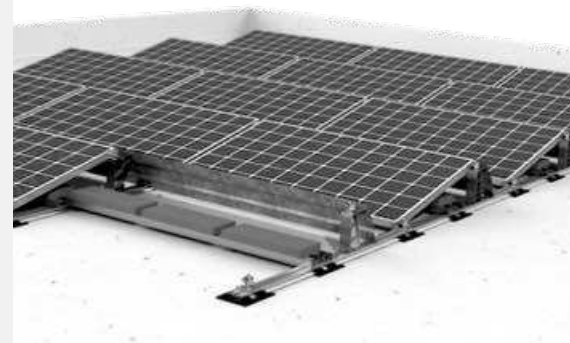


Flat Roof Mounting System

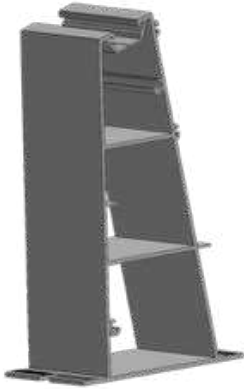


Aerodynamically Optimised System

- ▶ Extremely low surface load and roof fastenings without roof penetration
- ▶ Low ballast due to aerodynamic optimisation of the design
- ▶ Optimised rear ventilation for maximum energy yield
- ▶ Aerodynamically optimised as a result of wind tunnel testing
- ▶ Easy installation

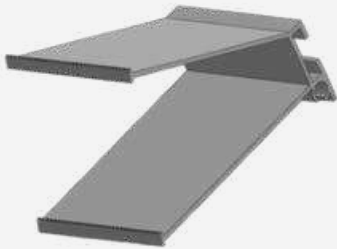


ISOFLAT S13



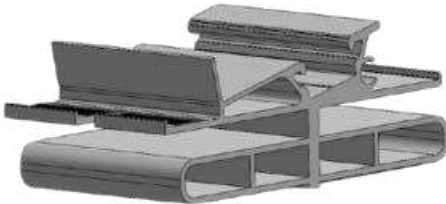
ISOFLAT BS13 V1.2

- ▶ Flat S Tower
- ▶ Compatible with EasyClamps
- ▶ Compatible with M8 T-Head Bolts
- ▶ Material: Aluminium ENW 6063 T66



ISOFLAT RBP13 V1.2

- ▶ Flat S Wind deflector part
- ▶ Compatible with M8 T-Head Bolts
- ▶ Material: Aluminium ENW 6063 T66



ISOFLAT FS13 V1.2

- ▶ Flat S front connector
- ▶ Compatible with EasyClamps
- ▶ Compatible with M8 T-Head Bolts
- ▶ Material: Aluminium ENW 6063 T66



FLATRAY V1.2 L100 - 2000

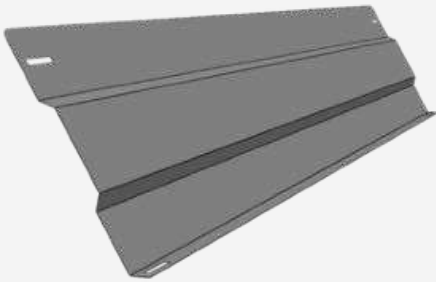
- ▶ Rail for ISOFLAT S
- ▶ Cable channel feature
- ▶ Compatible with M8 T-Head Bolts
- ▶ Material: Aluminium ENW 6063 T66

ISOFLAT S13



L Profile

- ▶ Used when required ballast is greater than 65 kg
- ▶ Compatible with M8 T-Head Bolts
- ▶ Material: Aluminium ENW 6063 T66



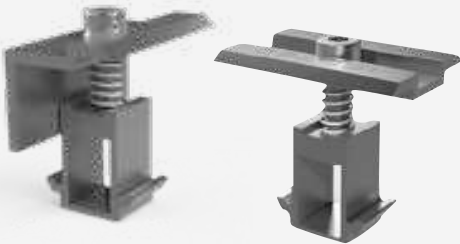
ISOFLAT RUA13 V.1.2

- ▶ FLAT S Back Wind deflector
- ▶ Material: Galvanized Steel



ISOFLAT RSA13 V.1.2 L & R

- ▶ FLAT S Side Wind deflector
- ▶ Compatible with M8 Inbus Bolts
- ▶ Material: Galvanized Steel



EasyClamp V1 Middle + End Clamp

- ▶ Delivered in set with integrated nut and spring. Can reduce pv module installation time up to 15%
- ▶ Compatible with all Isotec profiles. Universal clamps work with framed pv modules between 35 - 45 mm height.



T Bolt & Washer

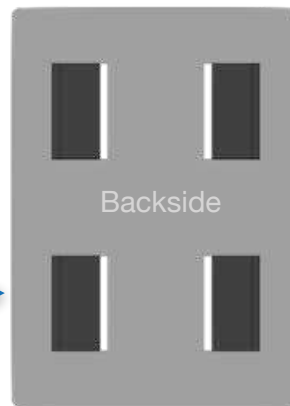
- ▶ Dimension: M8 x 25
- ▶ Stainless Steel A2-70

ISOFLAT S13

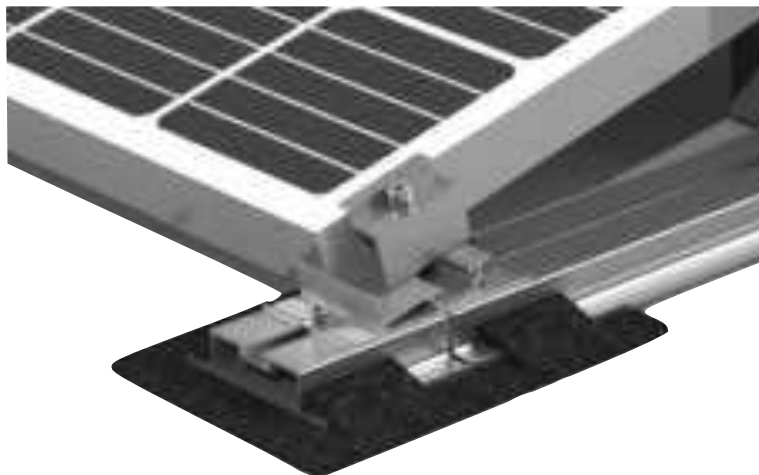


Building protection

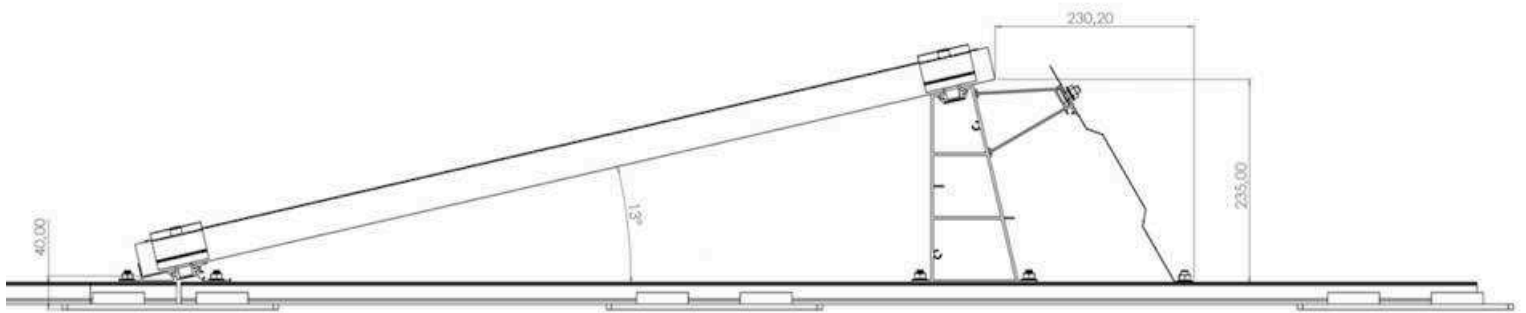
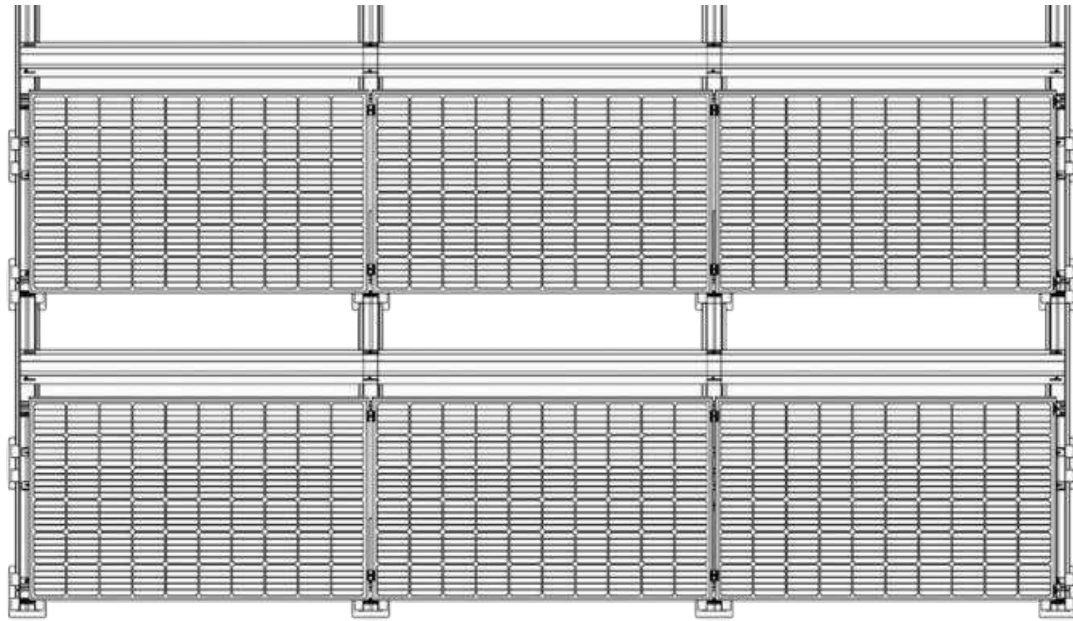
- ▶ Used to achieve a better adhesion to the roof skin and not to damage the roof epidermis
- ▶ Compatible with FLATRAY
- ▶ Back side in Aluminium for membrane roofs



- ▶ Chemically compatible with all types of membranes.
- ▶ Flame-resistant: classification B Roof (t1) according to DIN EN 13501-5 after DIN V ENV 1187 test.



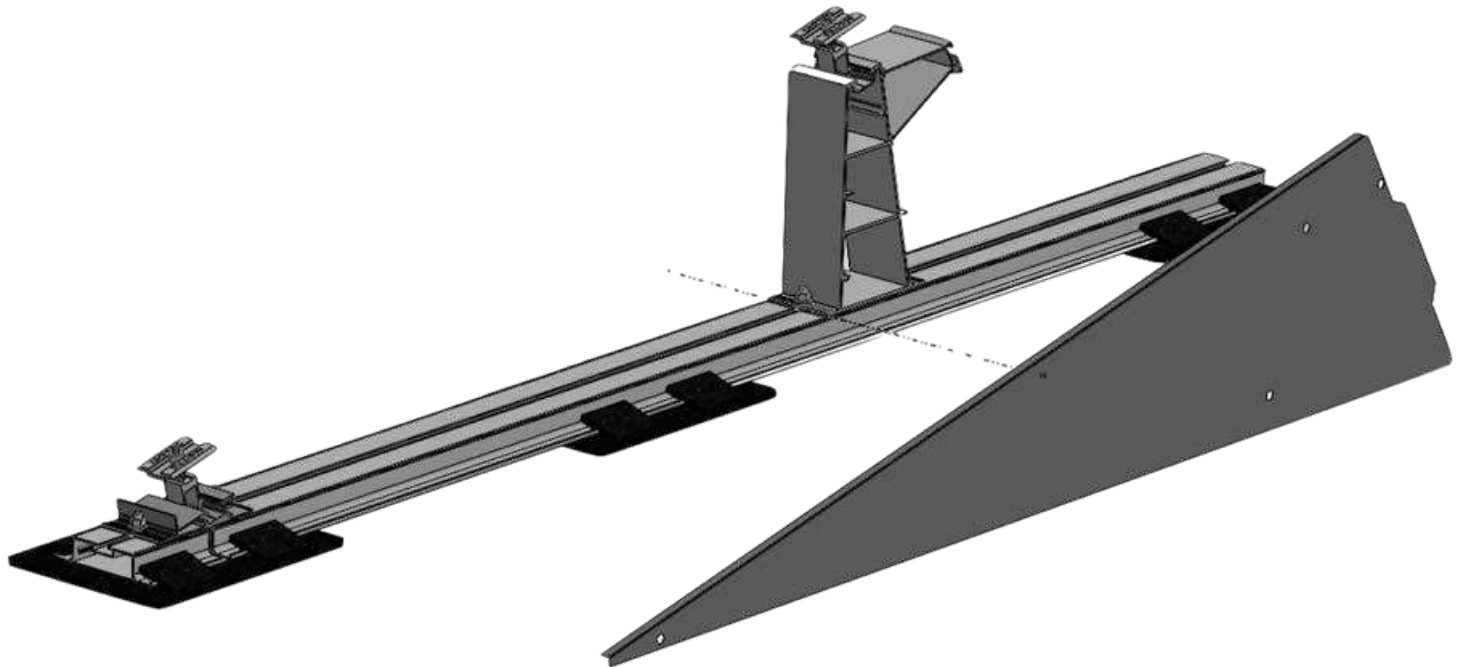
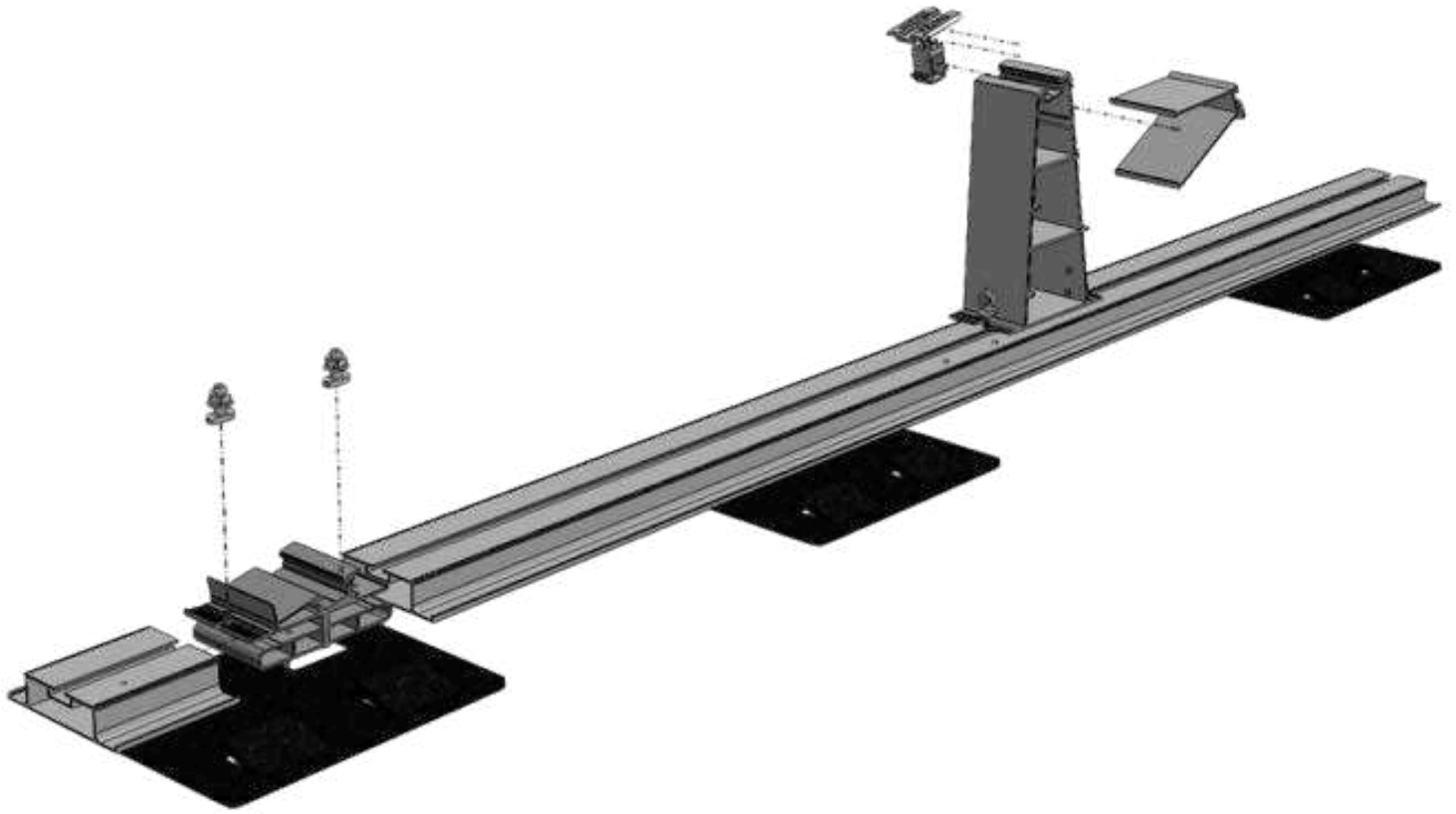
ISOFLAT S13



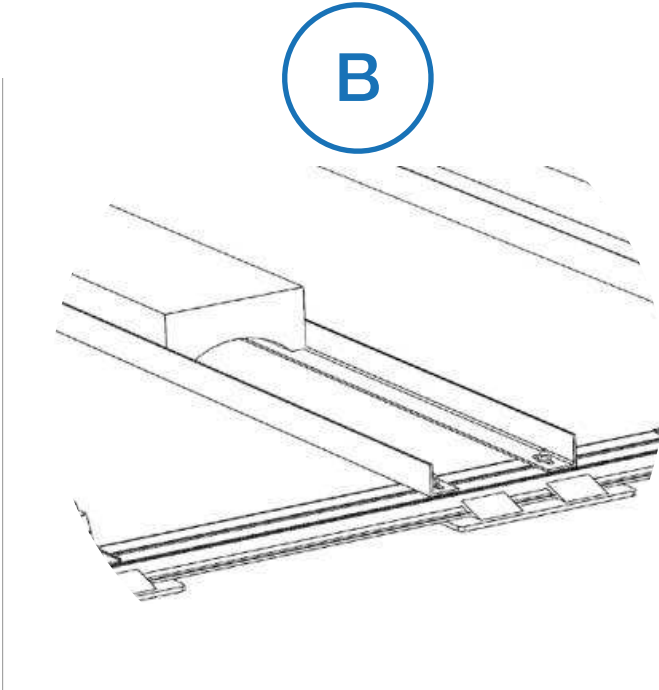
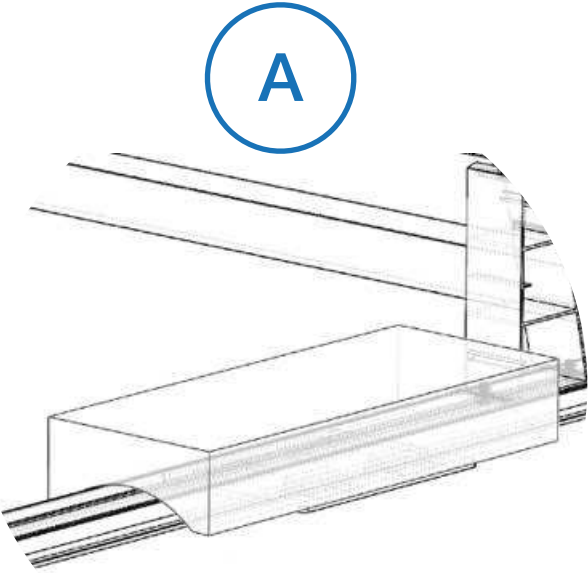
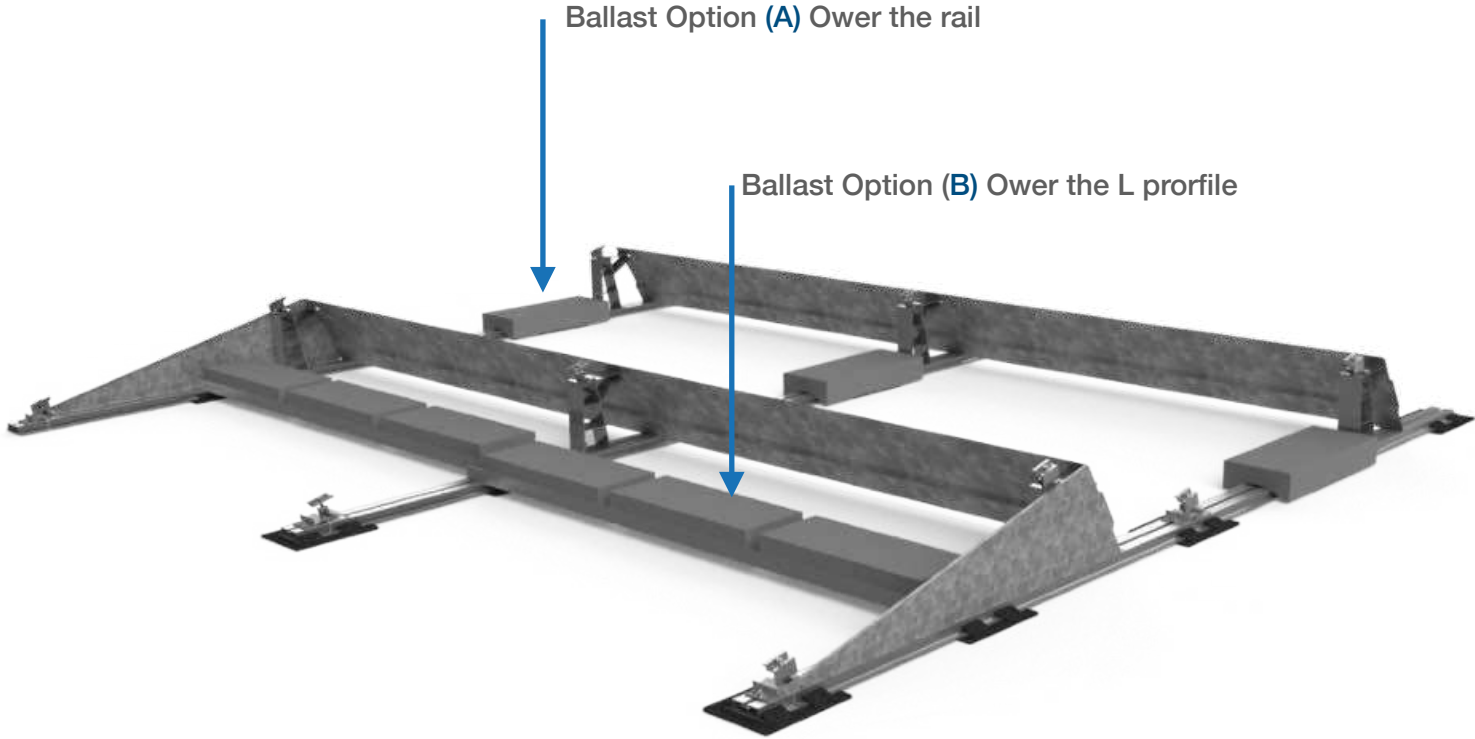
Technical Data

ISOFLAT S13	
Scope of application	Flat roofs, concrete, bitumen, sheets, green roofs, gravel or trapezoidal sheets
Compatible Solar Panel	L: 640mm - 1960mm W: 990mm-1010mm H: 30mm - 45mm
Fixation	Ballasted
Inclination angle	13°
Material	Profile and clamps : Aluminium 6063-T66 Support : Building Protection Fasteners : Stainless A2-70
Technical specifications	Thermal separation after a maximum of 15 m Minimum distance to the edge of the roof 550 mm

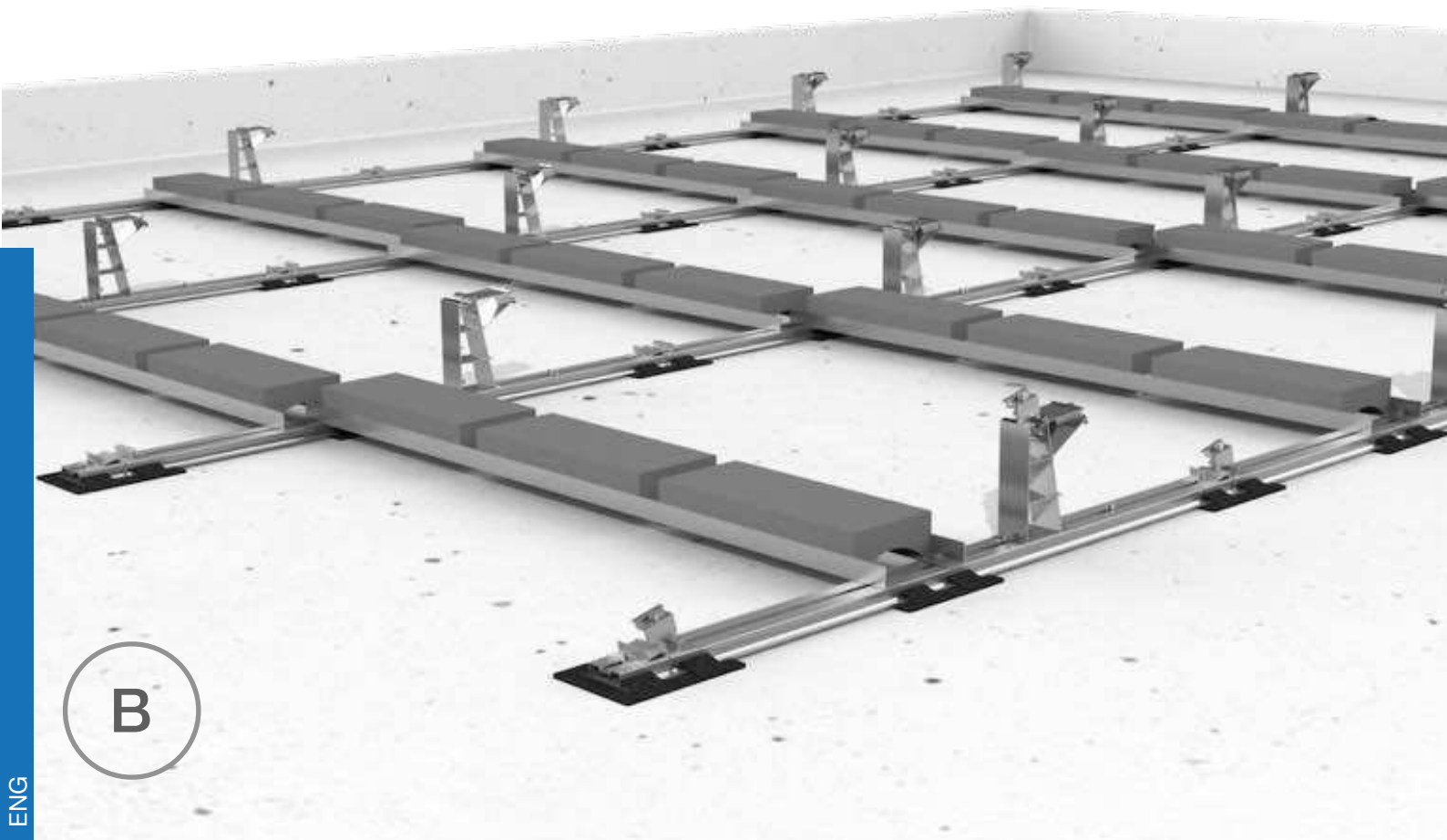
Assembly



Ballast Options



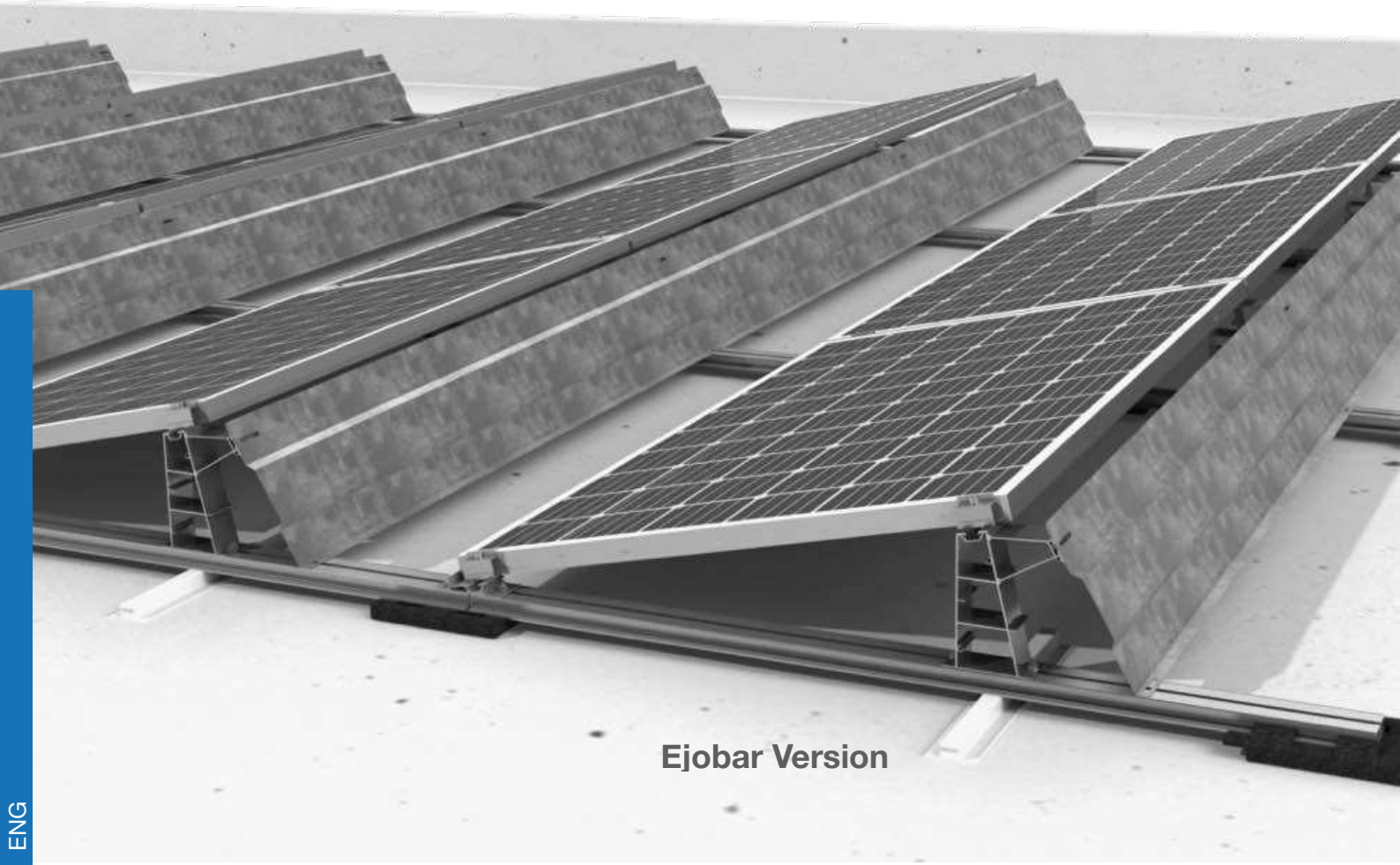
Ballast Options



ISOFLAT S13



Ballasted Version



Ejobar Version

ENG



+90 216 693 23 49

www.isotec.com.tr

06/2019

ISOFLAT S13

No. P/6255.0/07.19

**Wind tunnel based design data for the ISOTEC ISOFLAT
S13 and D13 photovoltaic roof mount systems**

