



Innovative Solutions

Solar Mounting Systems

About us

ISOTEC holds a leading position in the field of product development and supply for solar energy mounting systems. With its extensive experience of 12 years, the company has developed and produced 82 different mounting systems, thereby consolidating its leadership. Adhering to the principles of the Toyota Production System (TPS) in its production processes, ISOTEC continually strives towards a zero-error target.

ISOTEC's headquarters and production facilities are located in Istanbul / Kocaeli (Turkey), and through its export office located in Kavacik (Turkey) and sales office in Frankfurt (Germany), it serves both local and international projects by exporting to more than 50 countries.

ISOTEC has proven itself as a brand that produces innovative and durable systems. ISOTEC adopts the latest technologies and follows a continuous development process. This approach results in the design of products that are economical, easy to implement, and highly durable.

Aiming to provide fast and quality service, ISOTEC has developed its own ERP software, which allows for real-time information flow. Additionally, all metering and static calculations are performed using custom software developed in-house, highlighting the company's technical capabilities and unique services.

Always prioritizing customer satisfaction, ISOTEC maintains its position as a leading brand that produces mounting systems in the solar energy for land and roof sector by keeping the price/quality performance at the highest level.

Guaranty

All ISOTEC mounting systems are guaranteed for 12 years

Packaging

ISOTEC mounting systems are designed to be shipped easily.

Static Analysis

ISOTEC mounting systems components are analyzed according to European and other country based national standards (Eurocodes..)

Systems - Contents

System	Page	Flat Roof (Concrete/Foil/PVC)	Trapezoidal Sheet Roof	Sandwich Panel Roof	Tile Roof
▶ ISOGROUND	4	●	●	●	●
▶ ISOFLAT S – V3	6	●	●	●	●
▶ ISOFLAT D – V3	8	●	●	●	●
▶ ISOTRAP MINI	10	●	●	●	●
▶ ISOTRAP S	12	●	●	●	●
▶ ISOTILE	14	●	●	●	●

● Suitable

● Not suitable

ISOGROUND

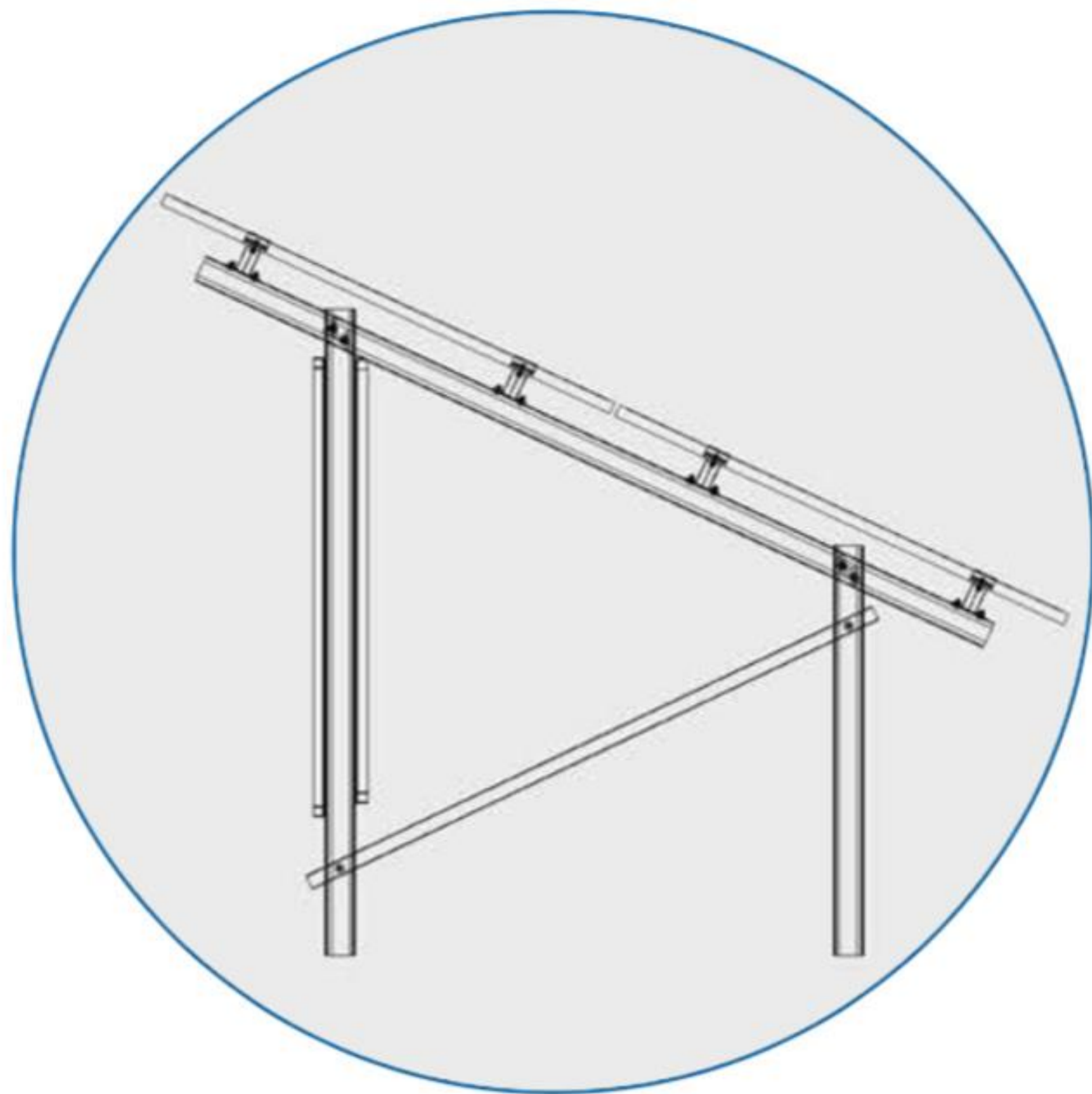


Fixed Ground Mounting System

Optimum Solution

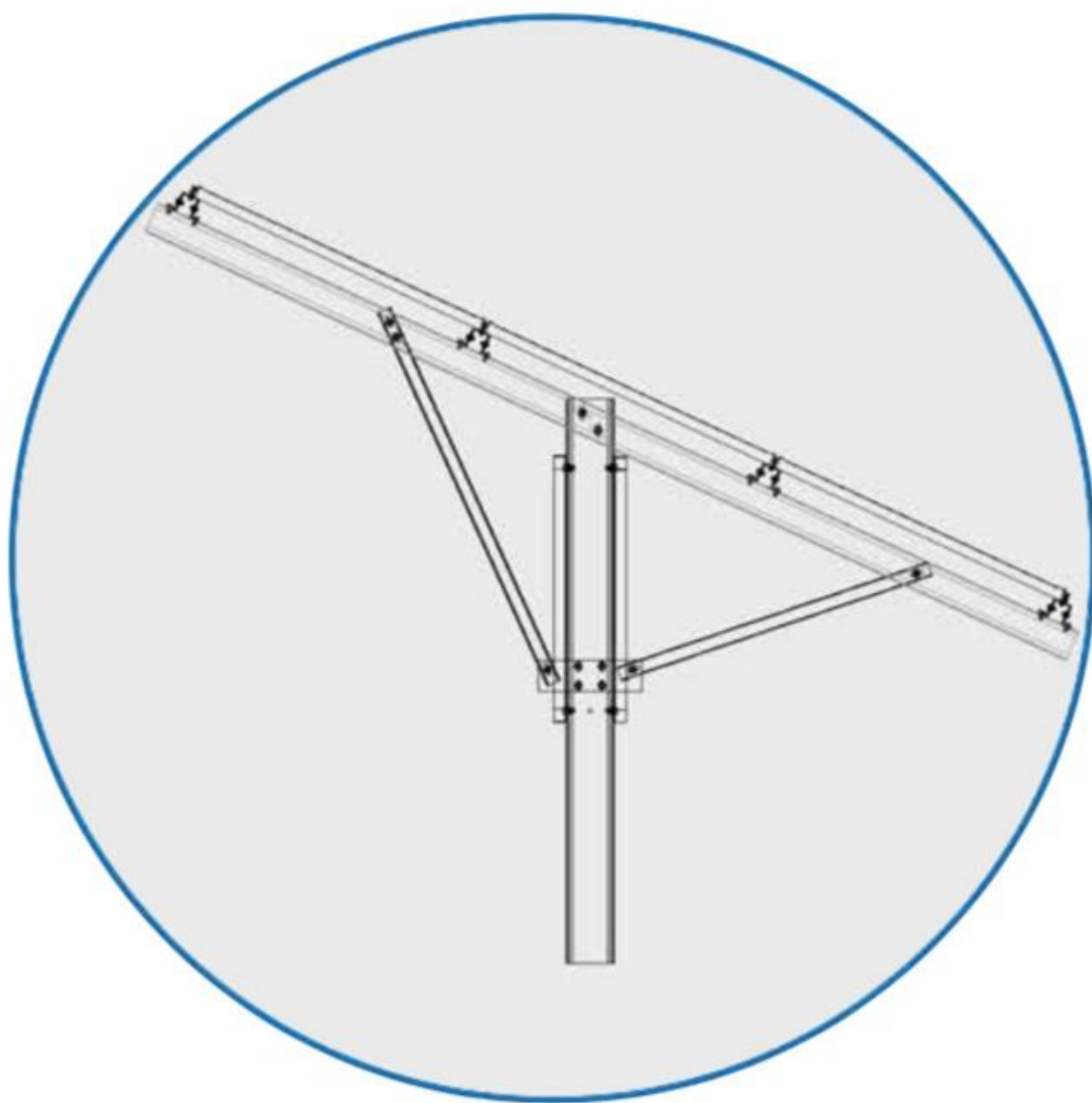
- ▶ Extensive flexibility
- ▶ Modular construction
- ▶ High security
- ▶ Maximum strength
- ▶ Long service life
- ▶ Easy maintenance





ISOGROUND BNS TWO

- ▶ Maximum strength with two piles
- ▶ Available in Portrait & Landscape Configuration
- ▶ Steel Steel or Steel Aluminum options available
- ▶ All fasteners are Stainless A2 quality
- ▶ High strength module clamps
- ▶ 1.120 MW installed



ISOGROUND BNS ONE

- ▶ Single column fixed angle or seasonal adjustable.
- ▶ It is preferred on hard and rocky soils .
- ▶ Available in Portrait & Landscape Configuration
- ▶ Steel Steel or Steel Aluminum options available
- ▶ All fasteners are Stainless A2 quality
- ▶ High strength module clamps
- ▶ 180 MW installed

ISOGROUND

Scope of application	Ground / Free Land
Compatible pv module	L : 1.500 - 2.500 mm W : 990 - 1.330 mm H : 30 - 45 mm
Foundation type	Ramming, concrete foundation , concrete pile
Material	Pile / Beam / Brace : HDG ST52 Steel Purlin : HDG ST52 Steel / Aluminum 6063 T66 Rails , clamps : Aluminum 6063 T66 / EN 6005 Fasteners : Stainless A2 70
Layout options	2 Portrait, 3 Portrait, 4 Landscape, 5 Landscape

ISOFLAT S – V3

8°- 12° South installation



Flat roof – Concrete / Foil

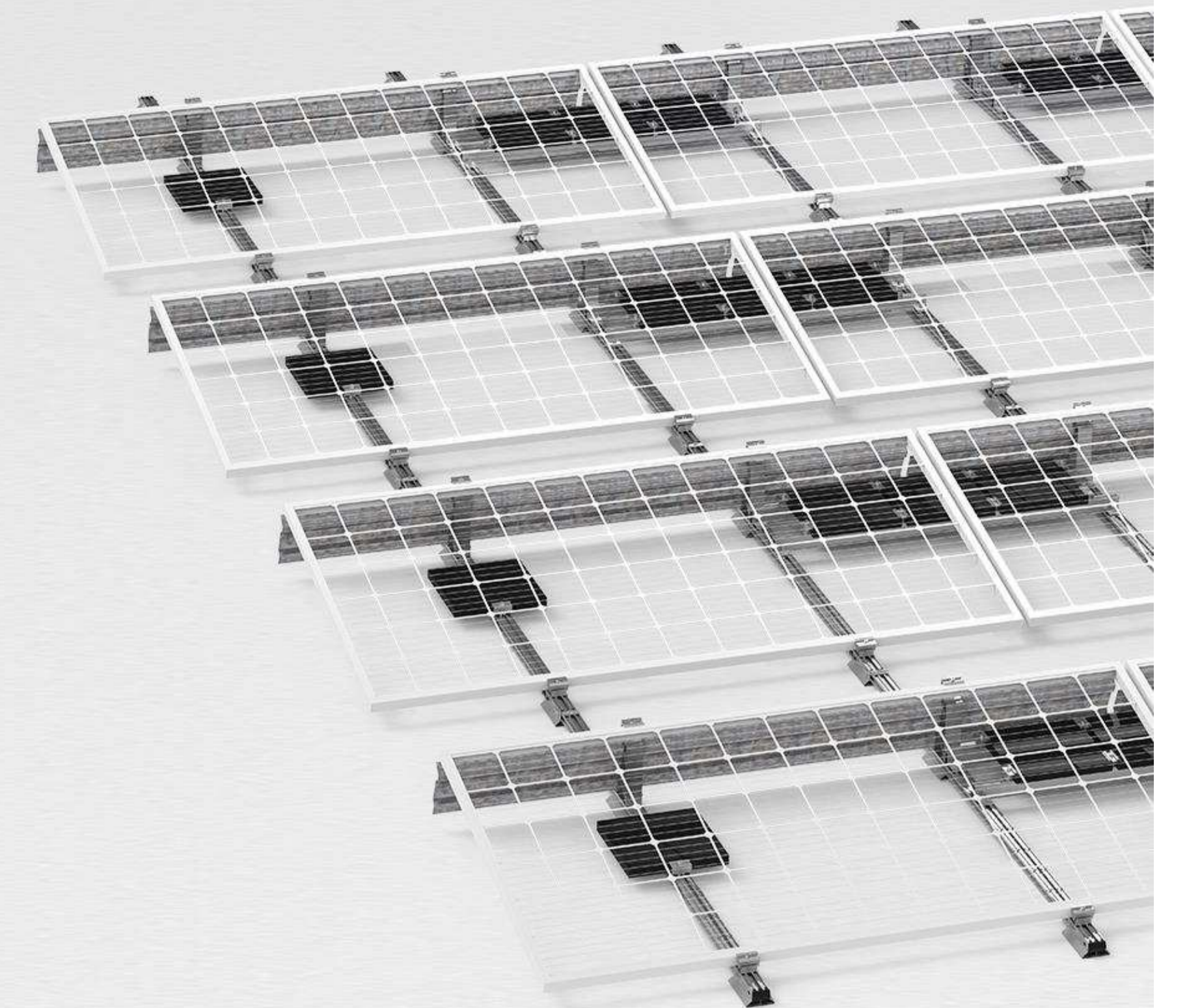
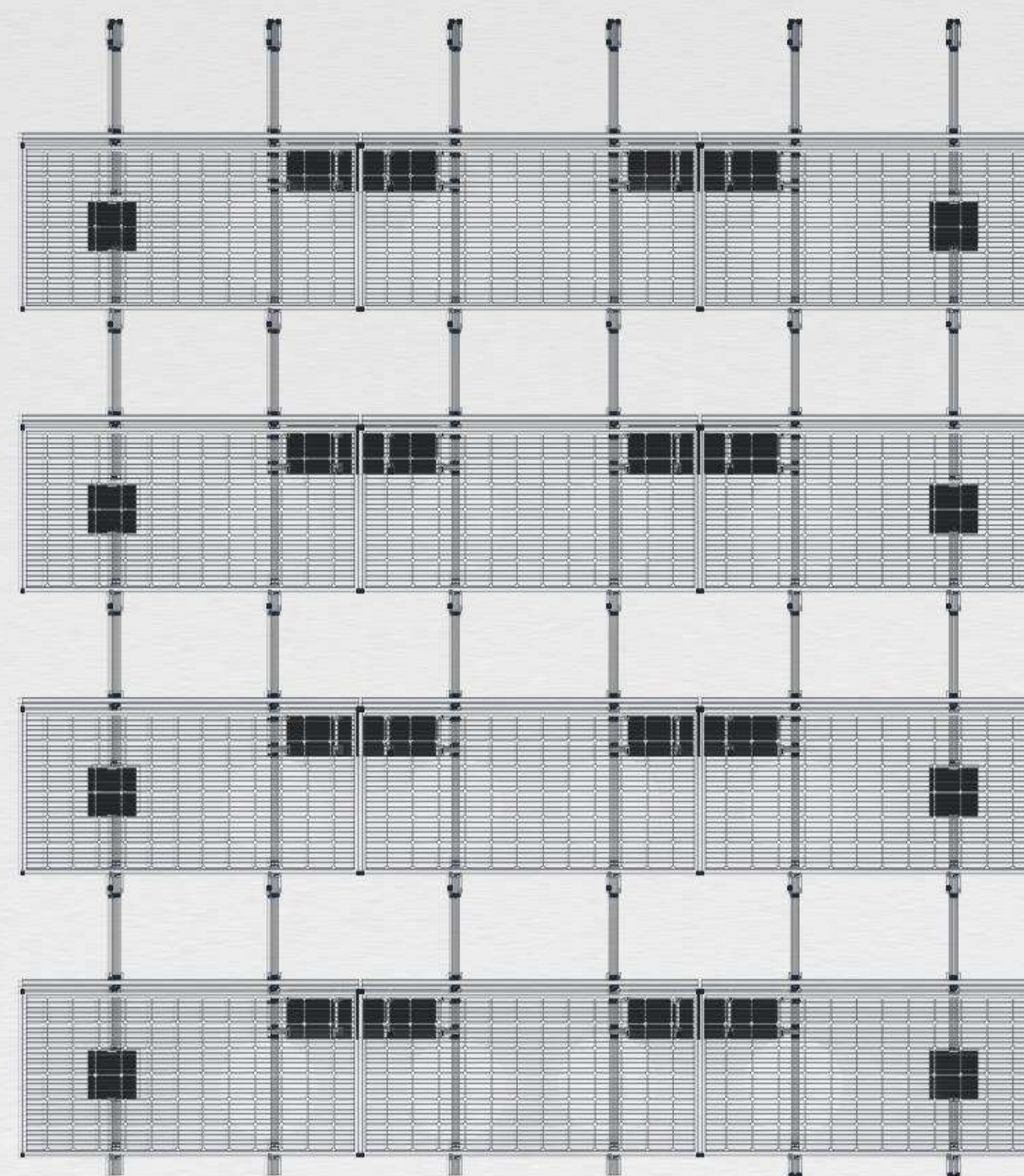
Aerodynamic Optimized Solution

- ▶ NEW : PV module *Longside* installation possible
- ▶ I.F.I. Wind tunnel test approved
- ▶ Easy installation with pre-assembled parts
- ▶ One tool installation
- ▶ Fastening without roof penetration
- ▶ Compatible with membrane roofs
- ▶ Stainless & corrosion free components



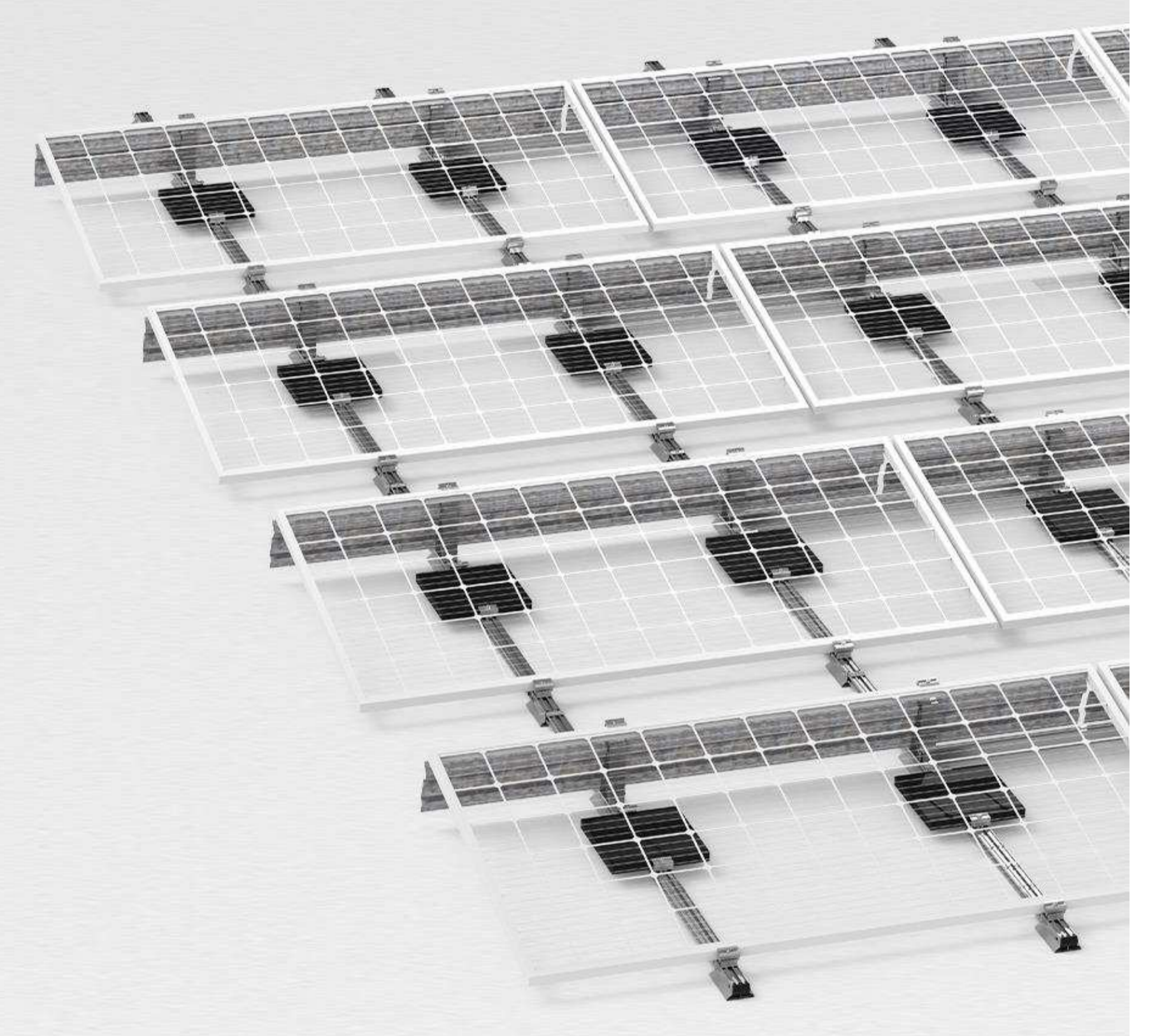
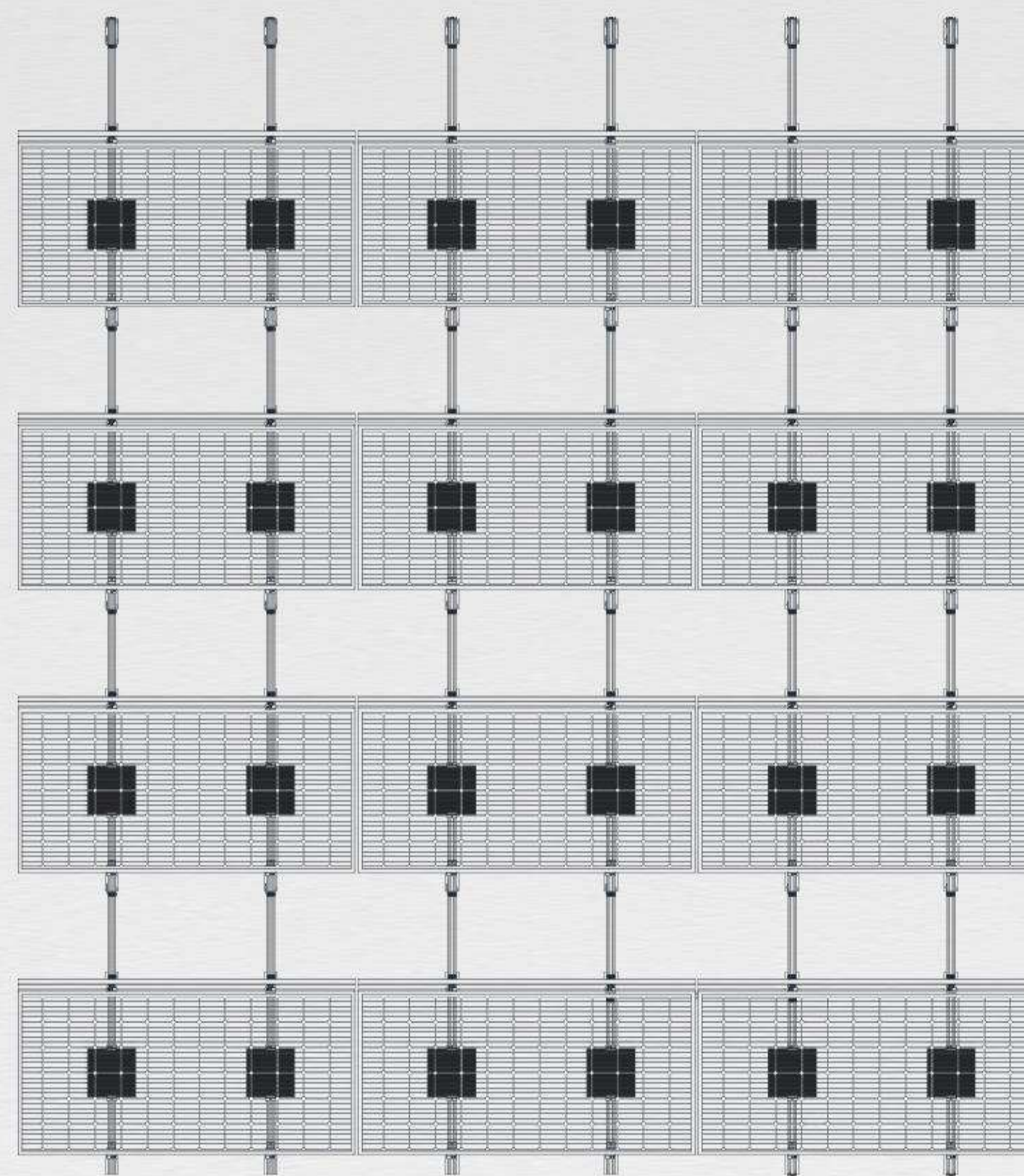
FIXATION TYPES

1. Extra loads



Additional ballast can be placed with extra carrier rails.

2. Standard



The required ballast are placed directly on the rails.

ISOFLAT S – v3

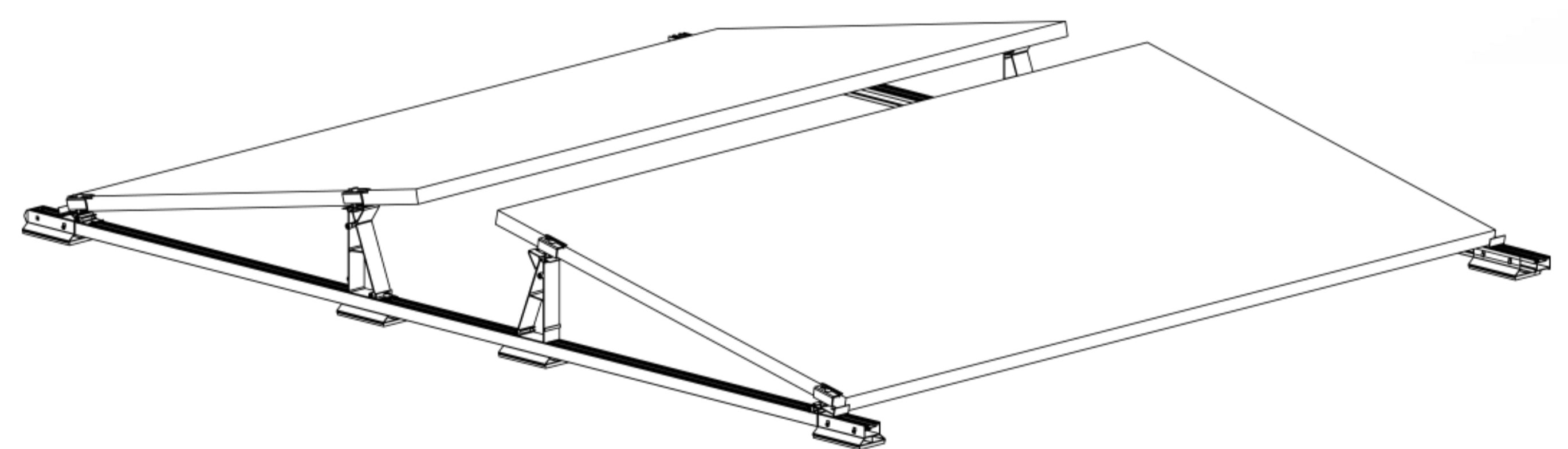
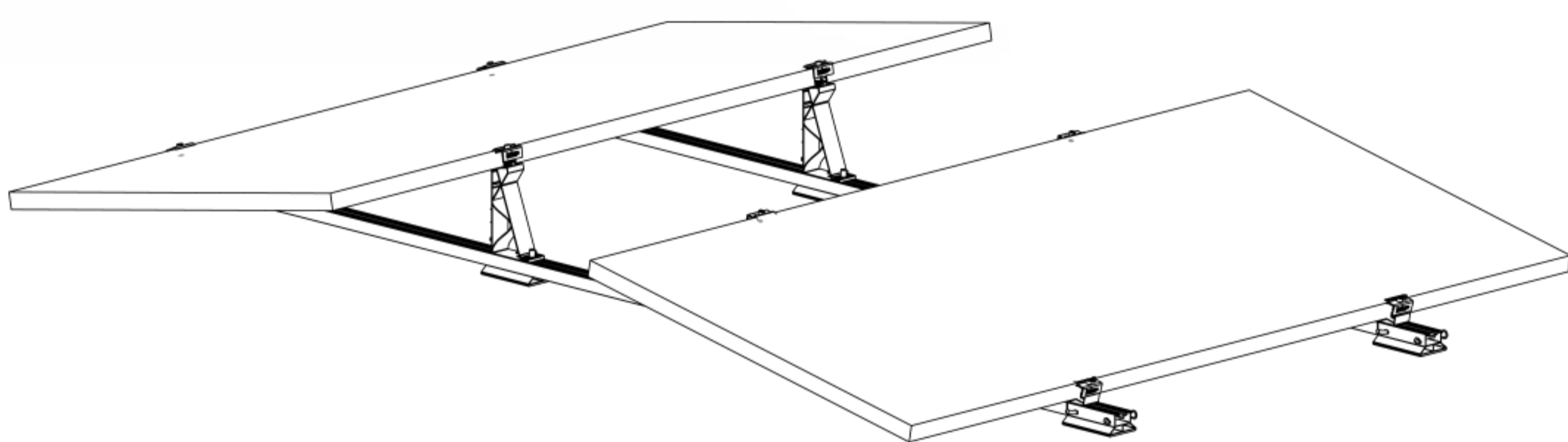
Scope of application	Flat roofs, concrete, bitumen, sheets, green roofs, gravel or trapezoidal sheets
Compatible PV modules	L : 1.500 - 2.500 mm W : 990 - 1.330 mm H : 30 - 45 mm
Foundation type	Ballast, Anchor, IMC
Inclination Angle	8-12°
Materials	Profile, clamps : Aluminum 6063-T66 / 6005-T6 Supports : EPDM protection Fasteners : Stainless A2-70
Technical specifications	Each sequence should be separated after a maximum of 15 m due to thermal expansion Minimum 550 mm distance should be left on the edge of the roof If the roof slope exceeds 3% the system should be fixed with steel ropes to the roofs parapet

ISOFLAT D – V3

8-12° East-West installation



Flat roof – Concrete / Foil



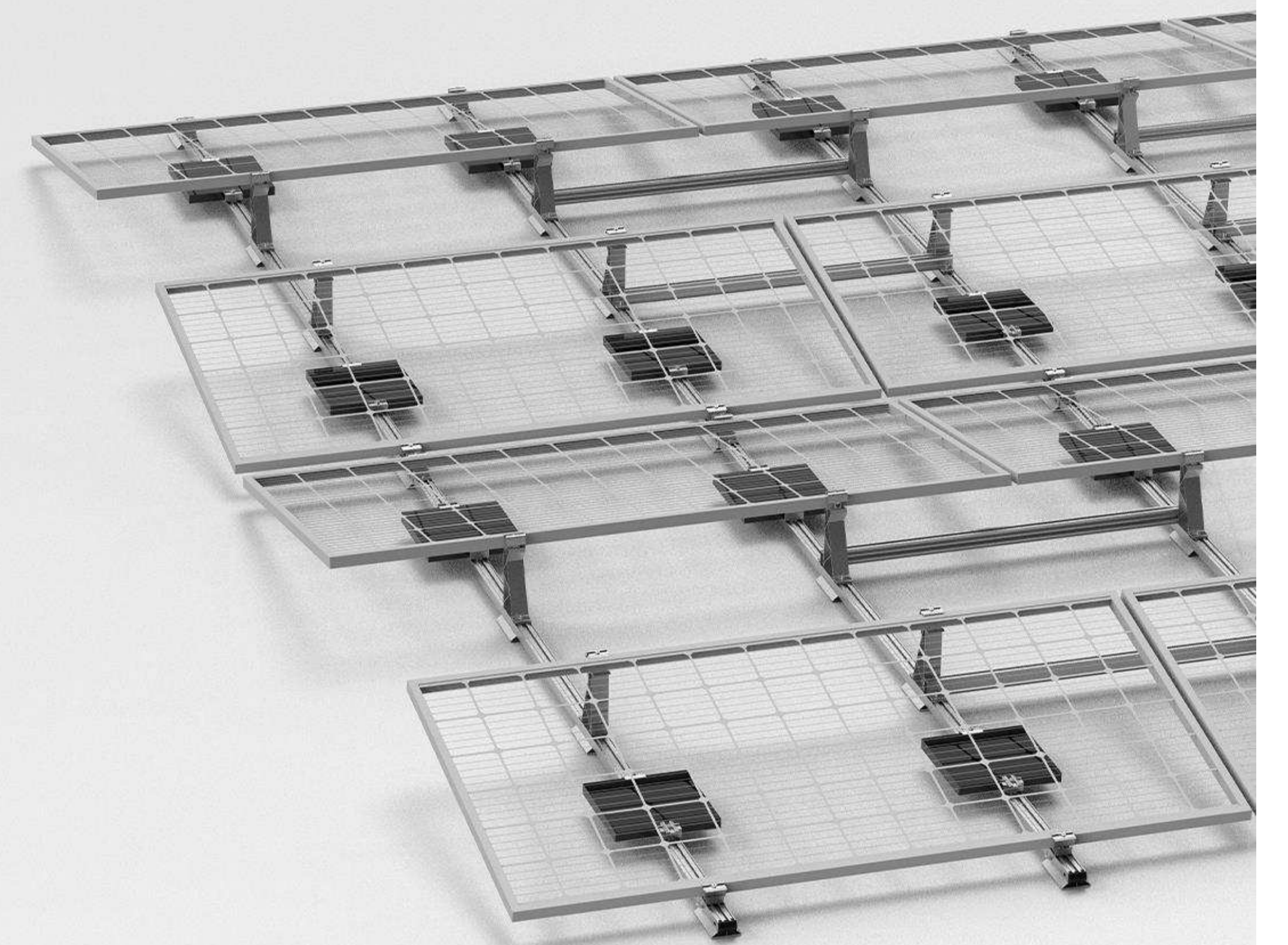
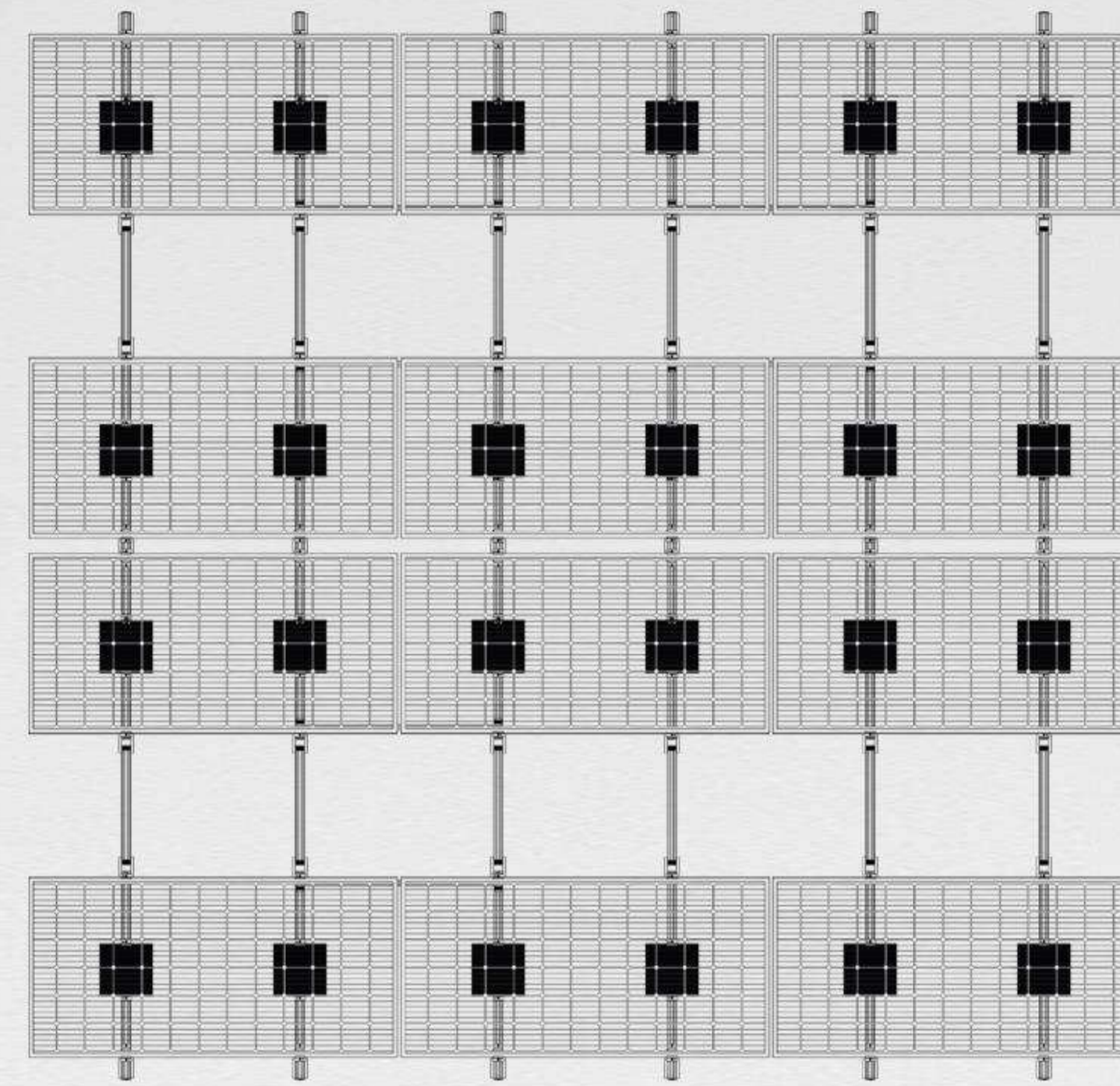
Aerodynamic - Minimum Ballast

- ▶ NEW : PV module *Longside* installation possible
- ▶ I.F.I. Wind tunnel test approved
- ▶ Easy installation with pre-assembled parts
- ▶ One tool installation
- ▶ Fastening without roof penetration
- ▶ Compatible with membrane roofs
- ▶ Stainless & corrosion free components
- ▶ Minimum ballast thanks to its aerodynamic structure
- ▶ More efficient use of the roof area



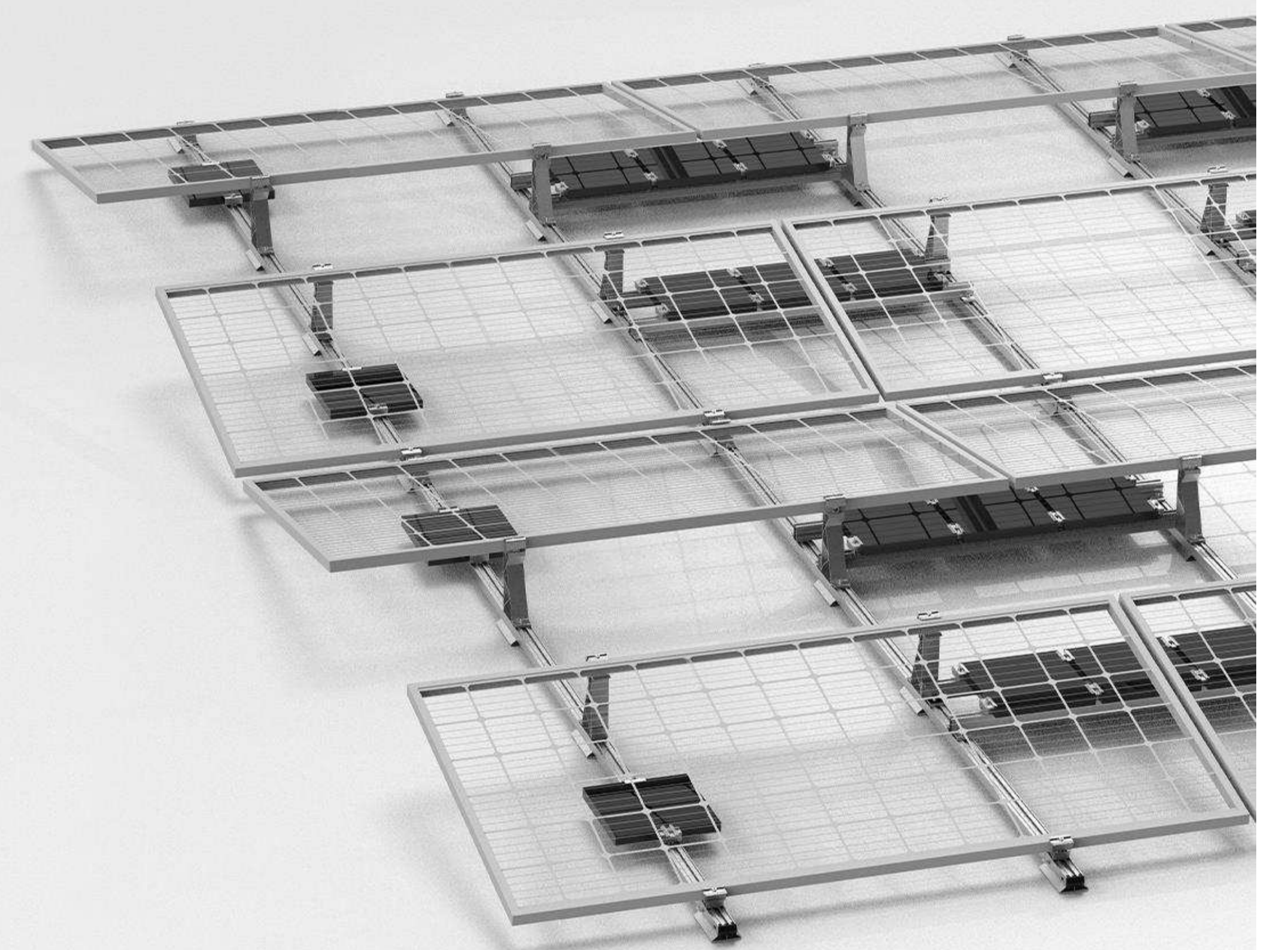
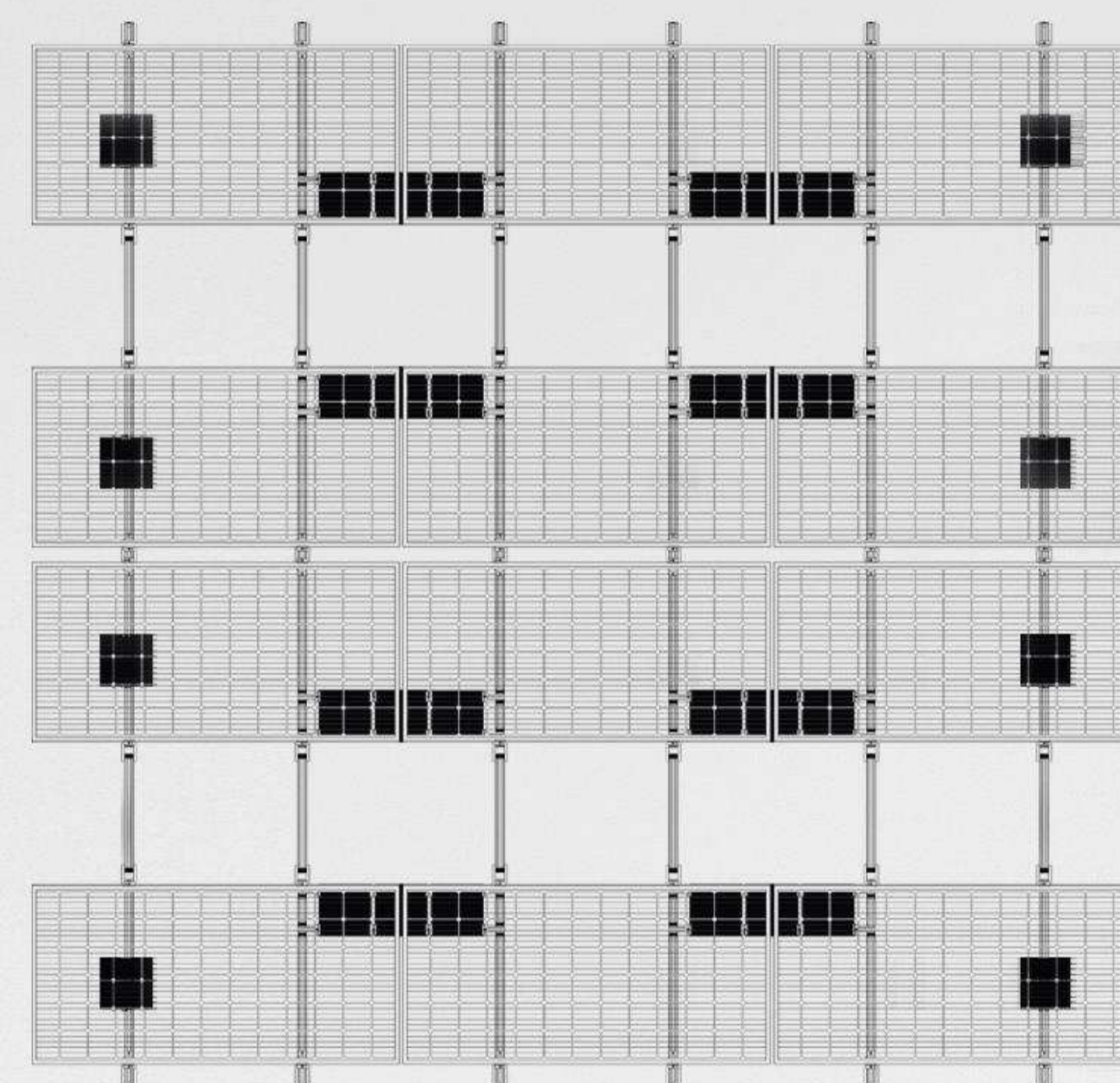
FIXATION TYPES

1. Standard



The required ballast are placed directly on the rails.

2. Extra loads

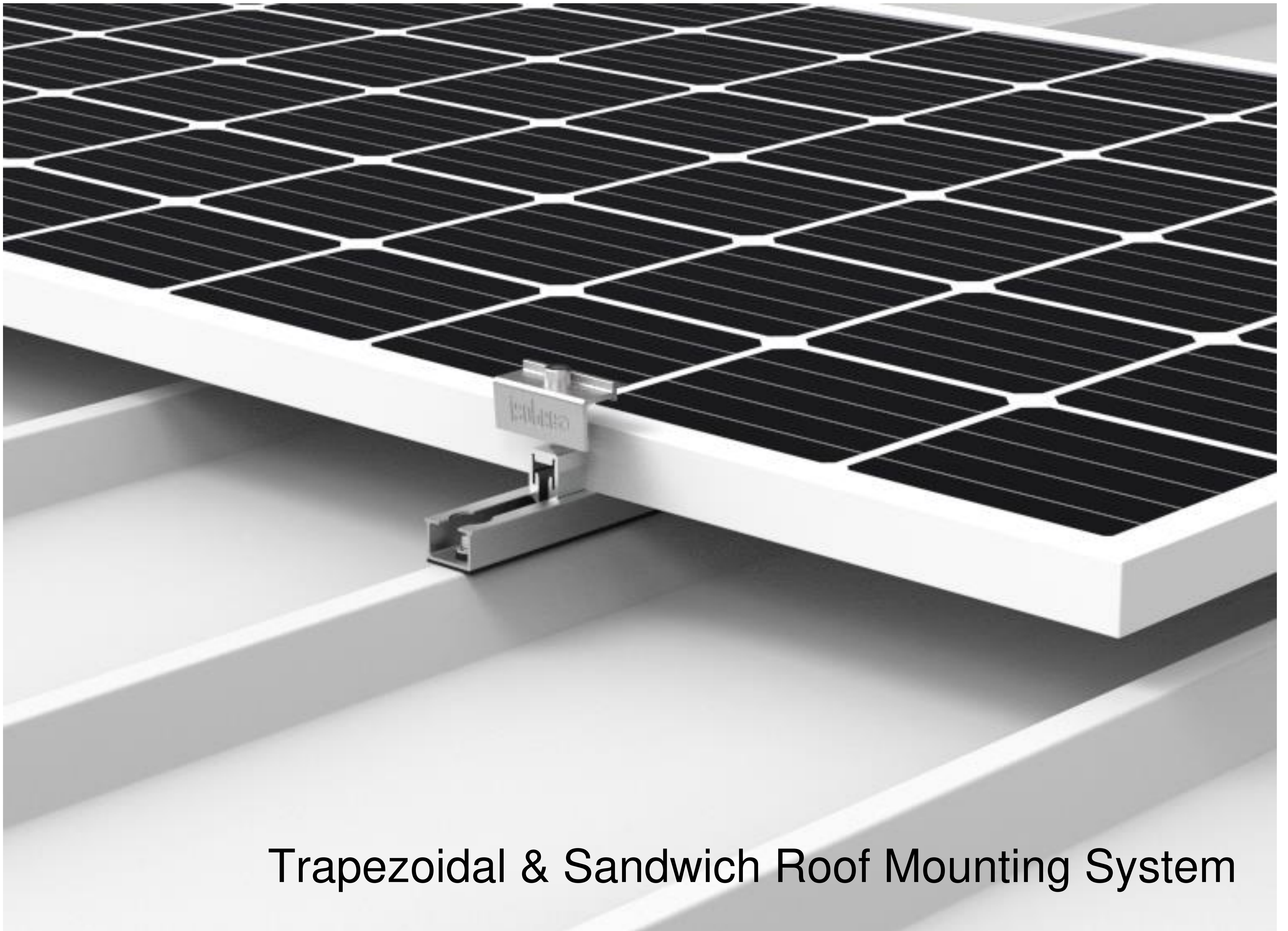


Additional ballast can be placed with extra carrier rails.

ISOFLAT D – v3

Scope of application	Flat roofs, concrete, bitumen, sheets, green roofs, gravel or trapezoidal sheets
Compatible PV modules	L : 1.500 - 2.500 mm W : 990 - 1.330 mm H : 30 - 45 mm
Foundation type	Ballast, Anchor, IMC
Inclination Angle	8-12°
Materials	Profile, clamps : Aluminum 6063-T66 / 6005-T6 Supports : EPDM protection Fasteners : Stainless A2-70
Technical specifications	Each sequence should be separated after a maximum of 15 m due to thermal expansion Minimum 550 mm distance should be left on the edge of the roof If the roof slope exceeds 3% the system should be fixed with steel ropes to the roofs parapet

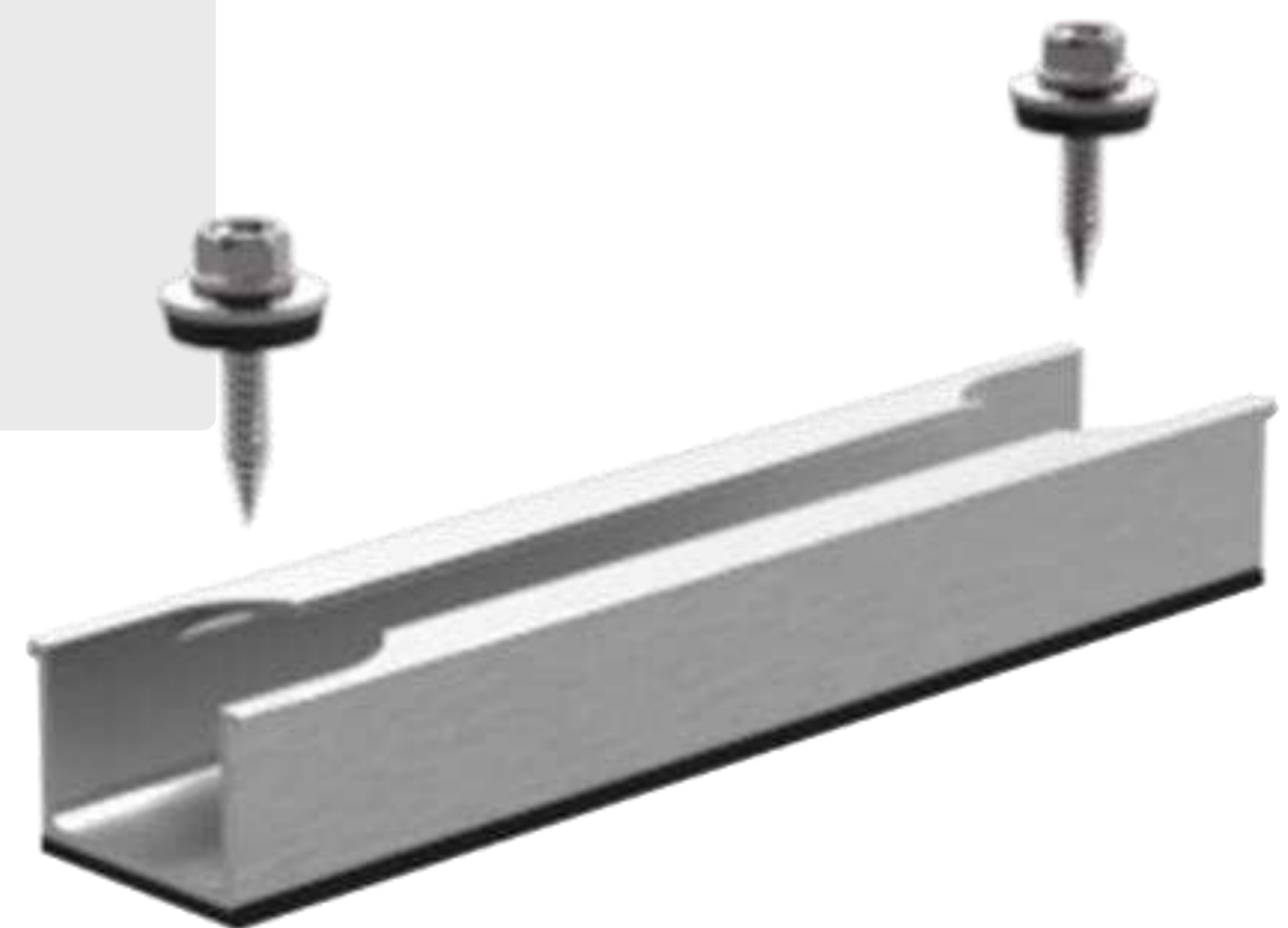
ISOTRAP Mini v3

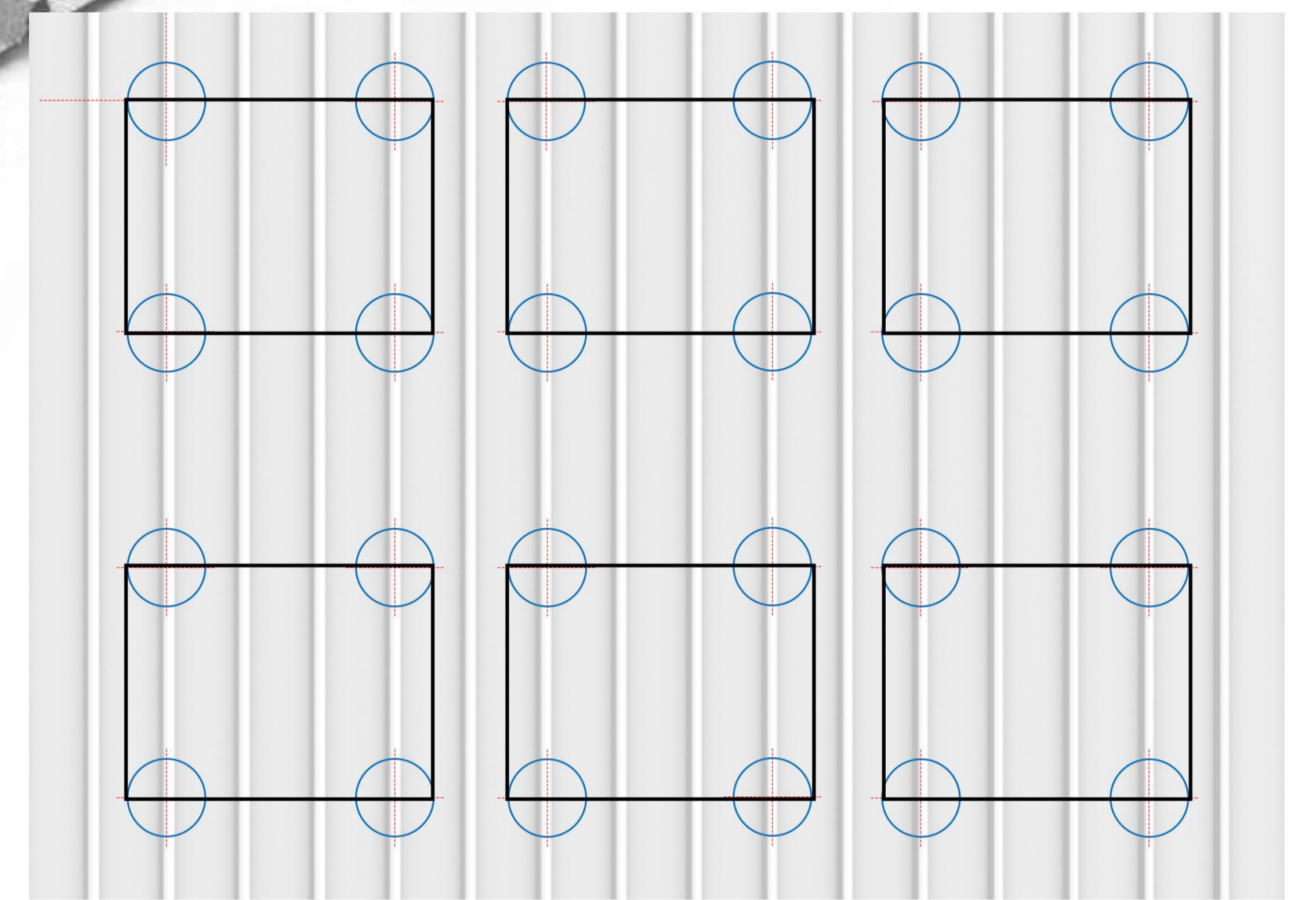


Trapezoidal & Sandwich Roof Mounting System

Low Cost – Optimum Solution

- ▶ Optimized for easy installation
- ▶ Minimum components, better for storage and transport
- ▶ Universal PV module clamps
- ▶ EPDM seal pre-assembled



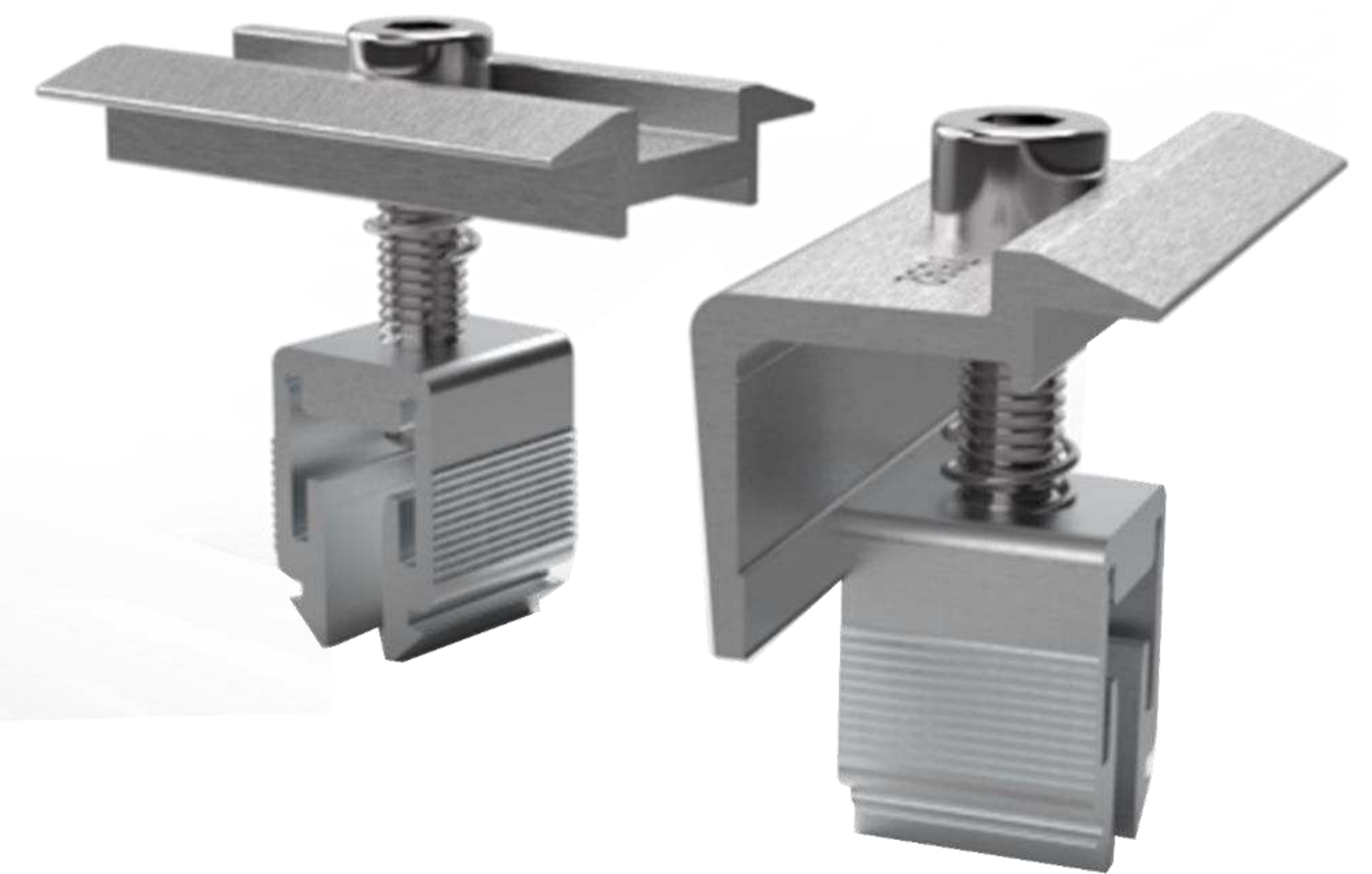
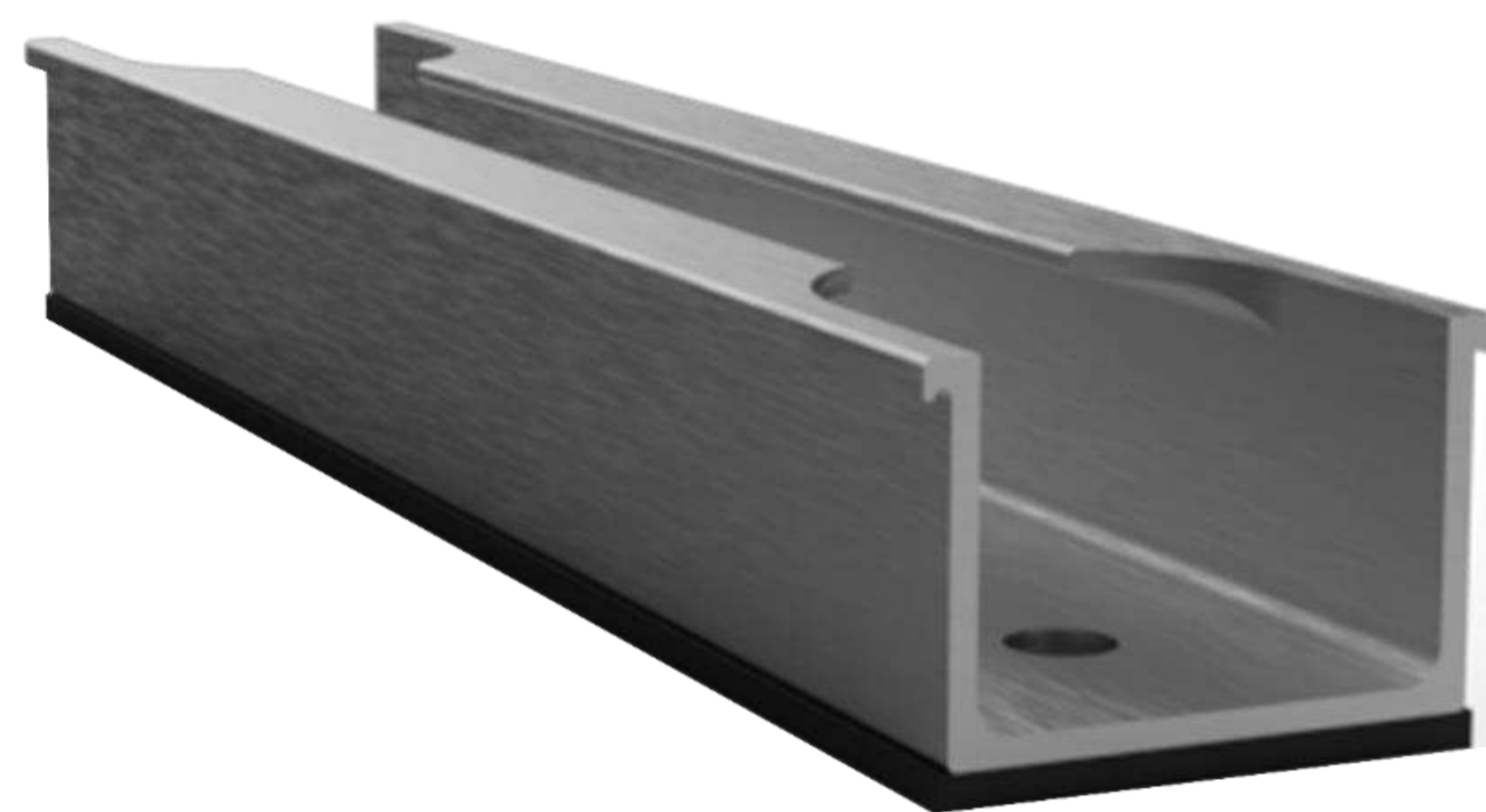


Waterproof rivet
Self drilling screw

ISOTRAP Mini v3

EasyClamp Middle

EasyClamp End



ISOTRAP Mini v3

Scope of application

Trapezoidal & Sandwich panel roofs

Compatible PV modules

L : 1.500 - 2.500 mm
W : 990 - 1.330 mm
H : 30 - 45 mm

Fixations

Self drilling screw / Rivet

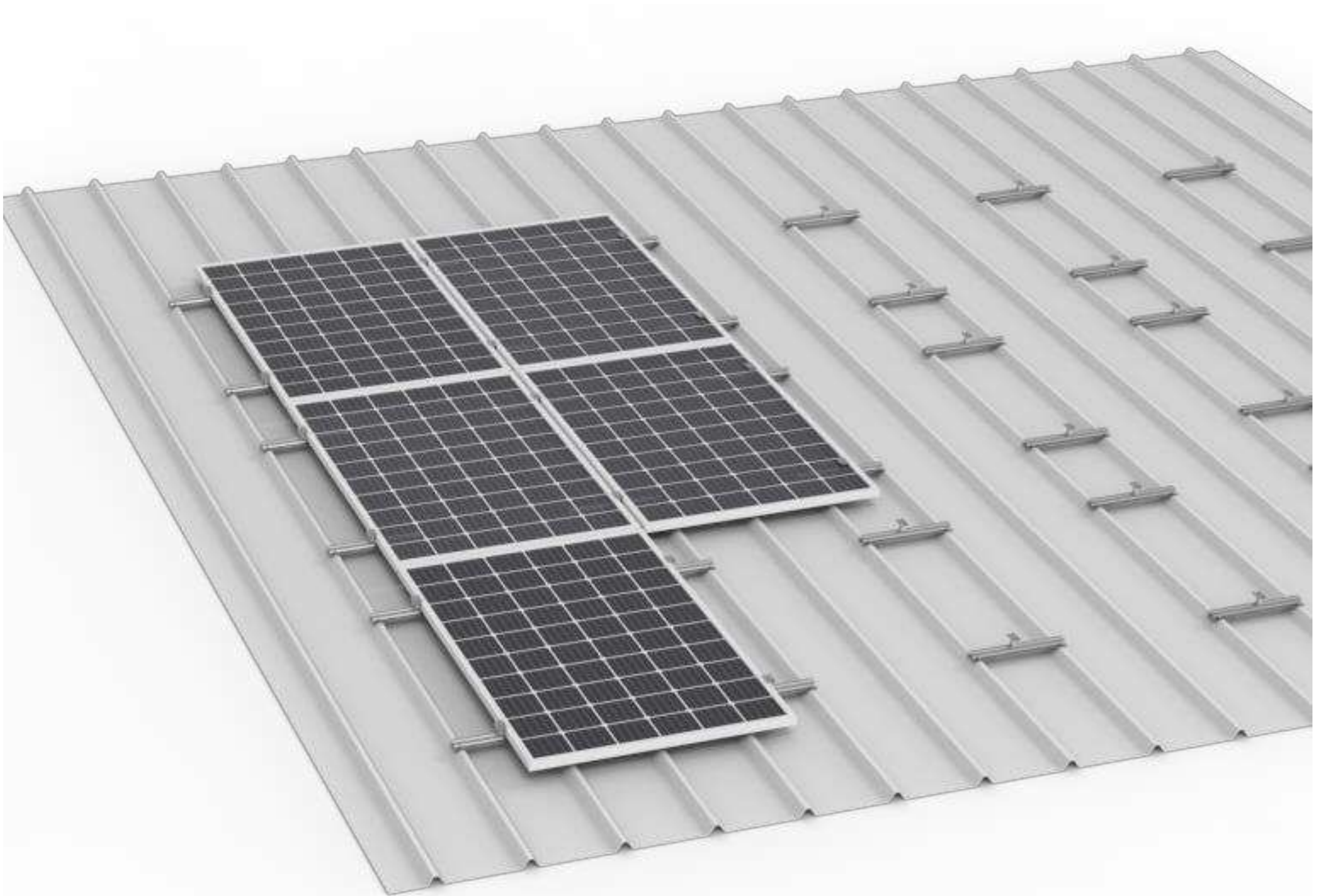
Materials

Profile, clamps : Aluminum 6063-T66 / 6005-T6
Rubber : EPDM
Fasteners : Stainless A2-70 & Bimetal

Technical specifications

Pitch range max. 285mm
Used only in horizontal layouts

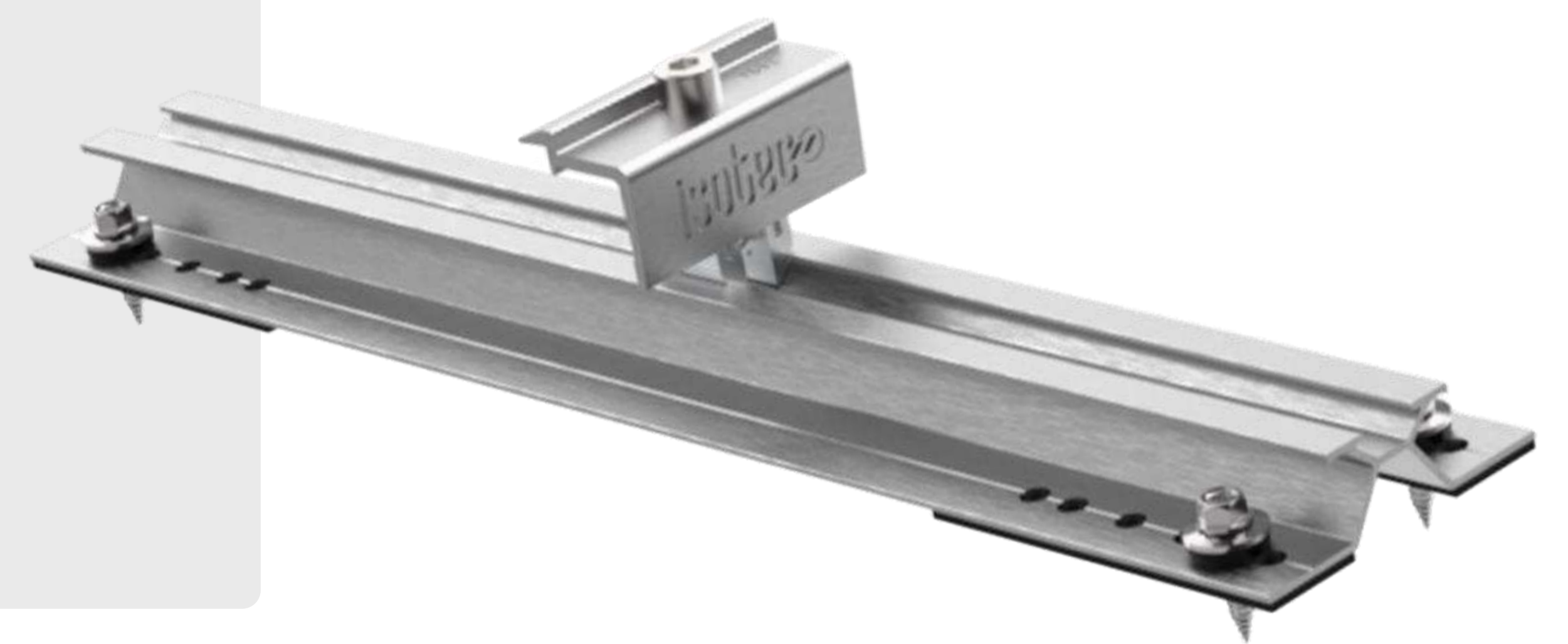
ISOTRAP S20



Trapezoidal & Sandwich Roof Mounting System

Optimized Solution – Short rails

- ▶ Optimized for easy installation
- ▶ Minimum components, better for storage and transport
- ▶ Universal PV module clamps
- ▶ EPDM seal pre-assembled





Waterproof rivet
Self drilling screw

ISOTRAP S

EasyClamp Middle

EasyClamp End



ISOTRAP S20

Scope of application

Trapezoidal & Sandwich panel roofs

Compatible PV modules

L : 1.500 - 2.500 mm
W : 990 - 1.330 mm
H : 30 - 45 mm

Fixations

Self drilling screw / Rivet

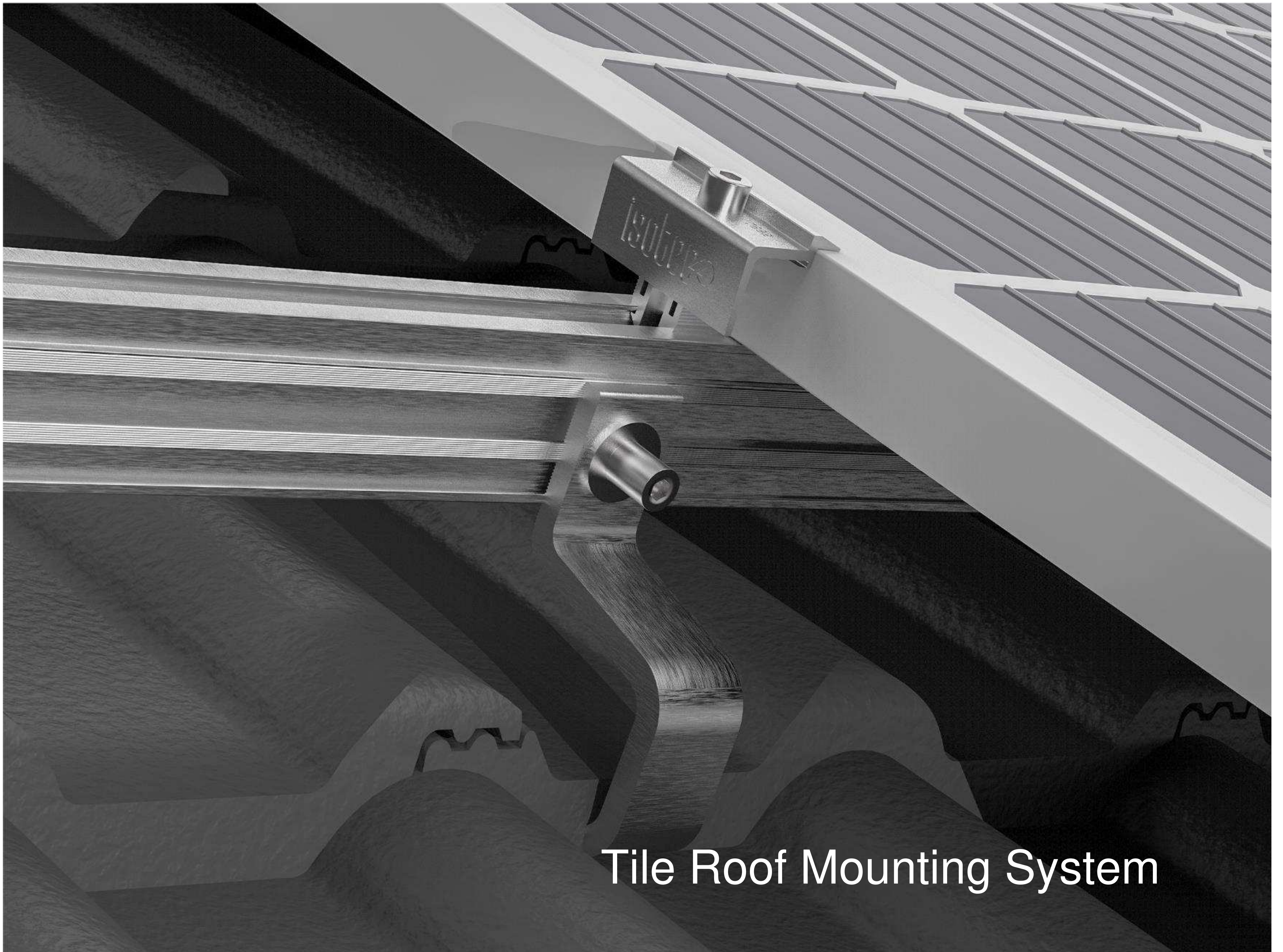
Materials

Profile, clamps : Aluminum 6063-T66
Rubber : EPDM
Fasteners : Stainless A2-70 & Bimetal

Technical specifications

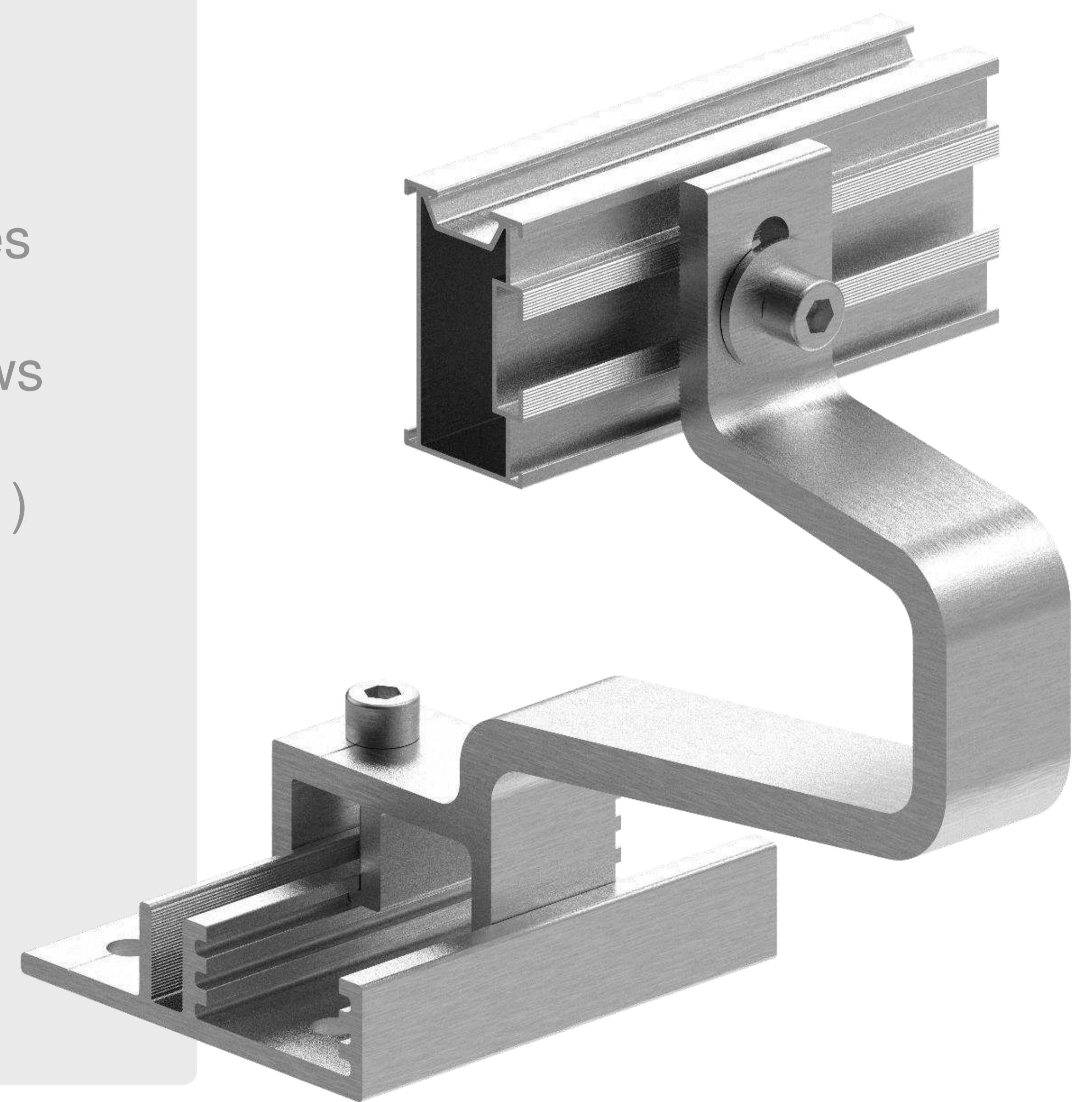
Used in horizontal and vertical layouts

ISOTILE ALU

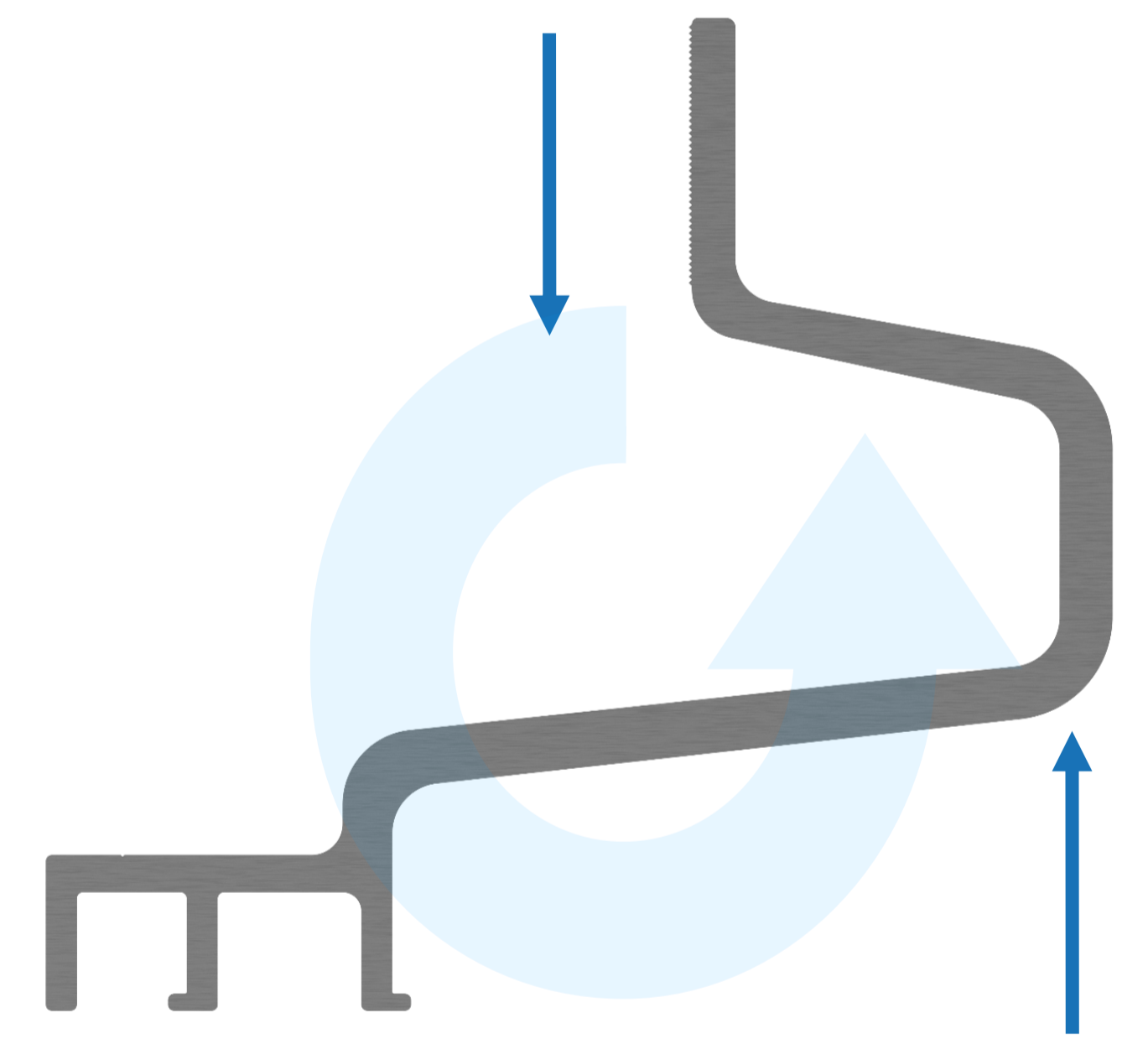


Universal use - High strength

- ▶ Optimized universal roof hook compatible with many tiles
- ▶ It is fixed to the roof purlins with special torx wood screws
- ▶ Thanks to its patented form, the axial forces (snowload) do not break the tiles
- ▶ Roof hooks made of aluminum



ISOTILE ALU



ISOTILE 23

Scope of application

Tile roofs

Compatible PV modules

L : 1.500 - 2.500 mm
W : 990 - 1.330 mm
H : 30 - 45 mm

Fixations

Wood screw

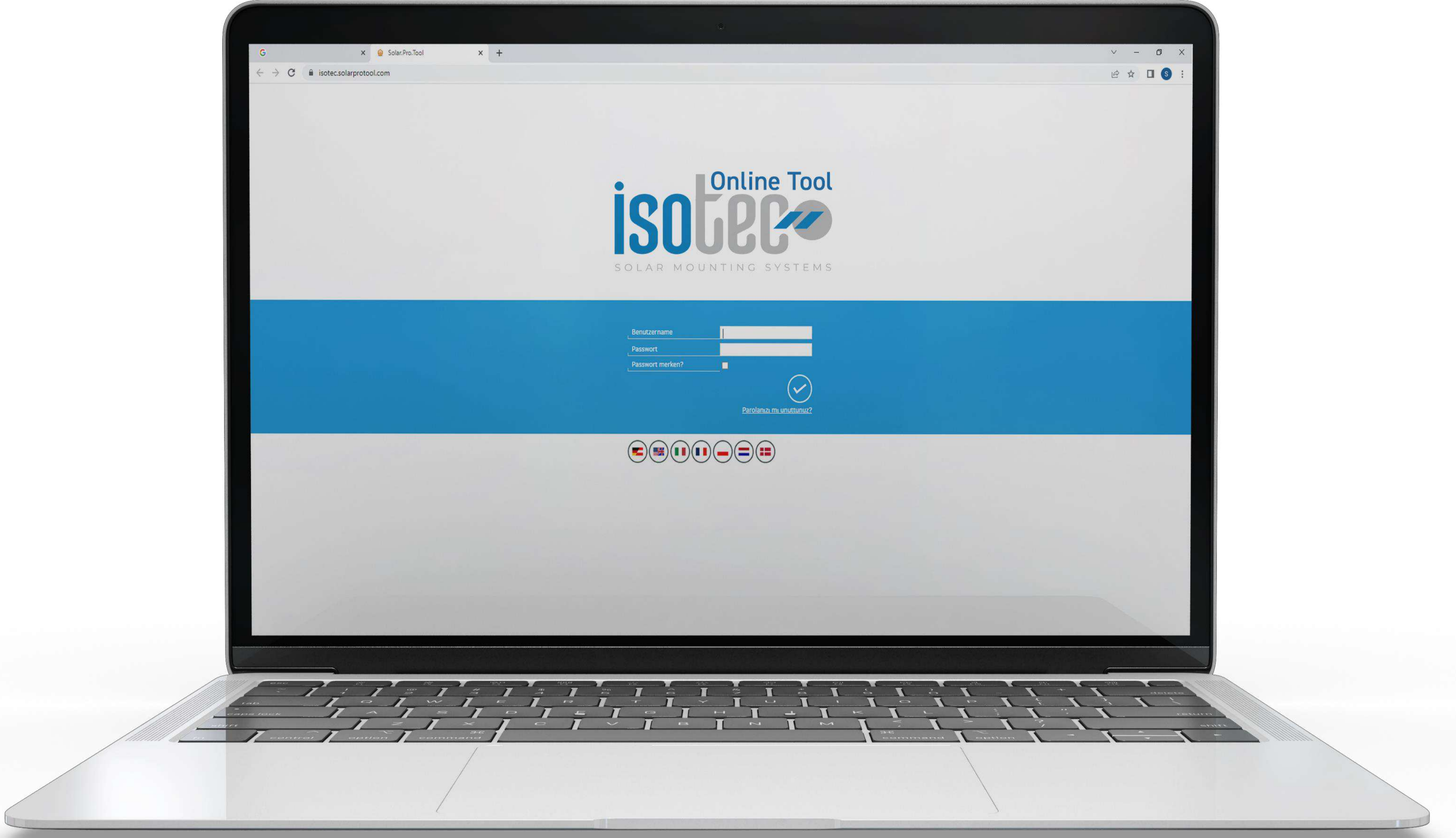
Materials

Profile, clamps : Aluminum 6063-T66
Fasteners : Stainless A2-70 & Bimetal
Roof Hook : Aluminum 6063-T66

Technical specifications

Compatible with Landscape and Portrait layout
Compatible Tile : Braas , Mediterranean..

ISOTEC ONLINE TOOL

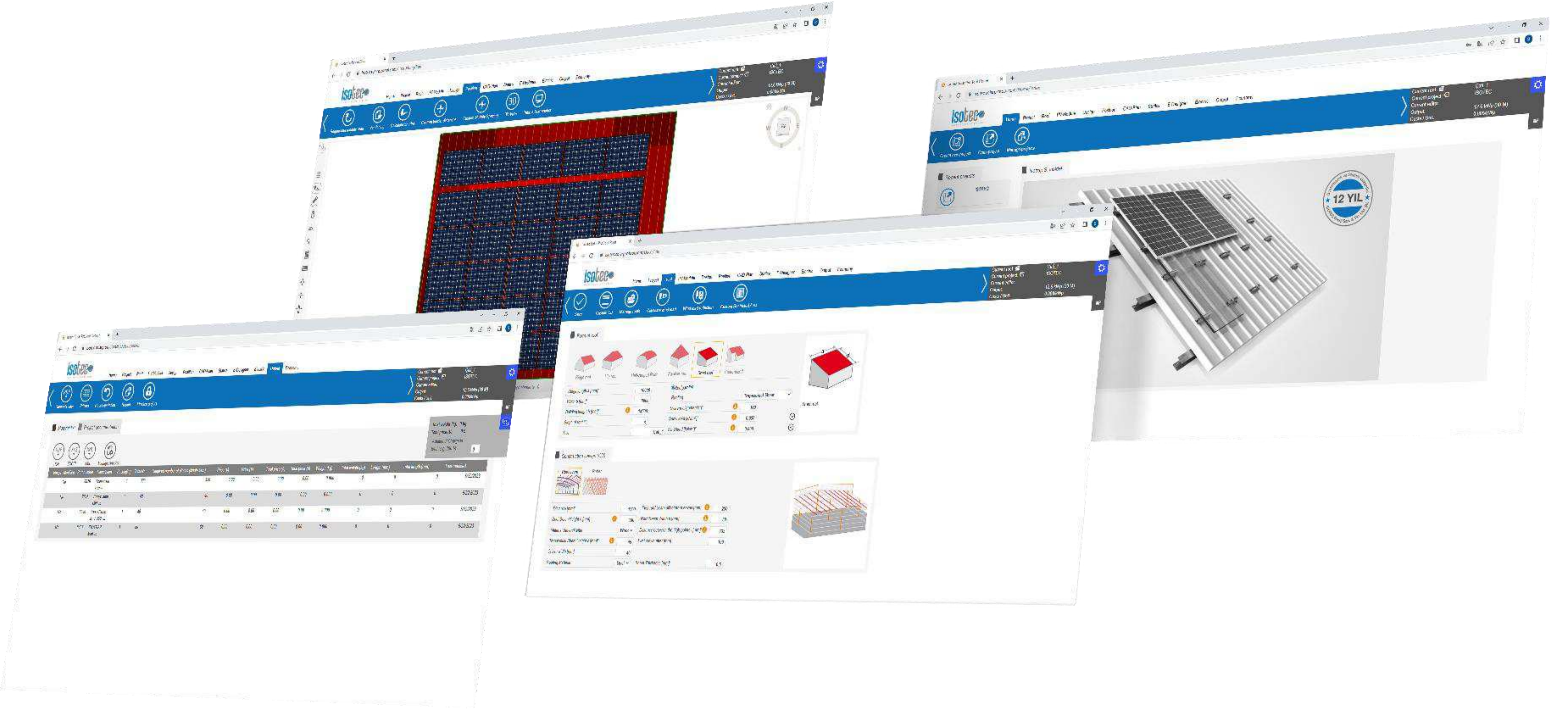


1. <https://isotec.solarprotool.com> adresindeki web sitemizi ziyaret edin/giriş yapın
2. Çatı tiplerine göre kendi proje tasarımınızı oluşturun
3. Malzeme listenizi alın ve teklif isteyin

ISOTEC OnlineTool, güneş enerjisi projelerinin basit kaydı ve hızlı planlaması için bir yazılımdır.

Proje verilerini topladıktan sonra otomatik olarak gölgeleme simülasyonu, uygulanabilir bir CAD mühendislik planı, gerekli malzemelerin listesi ve bir proje raporu içeren bir modül planı alacaksınız.

Sonuçlar, EN normlarına göre statik hesaplamalar ile ISOTEC montaj sistemine dayanmaktadır.



Check out our configurator for your projects.

For all pitched and flat roofs
Finish your design in 10 simple steps
In 2D or 3D (PDF, DXF, DWG)
Building authority certified
Precise ballast calculation for any type of flat roof
Drawings and bill of material

Just request access data and start planning!



TÜRKİYE - SALES OFFICE

ISOTEC Energy San. ve Tic. Ltd. Sti.



Ruzgarlibahce
Mah Kavak Sok
No:12
Beykoz / İstanbul



Mail:
info@isotec.com.tr
Phone.: +90 216
693 23 49



TÜRKİYE - FACTORY

ISOTEC Energy San. ve Tic. Ltd. Sti.



Cerkesli Mah.
İmes OSB 19.
Cad. No:18
Dilovasi / Kocaeli



Mail:
info@isotec.com.tr
Phone.: +90 216
693 23 49



GERMANY - SALES OFFICE

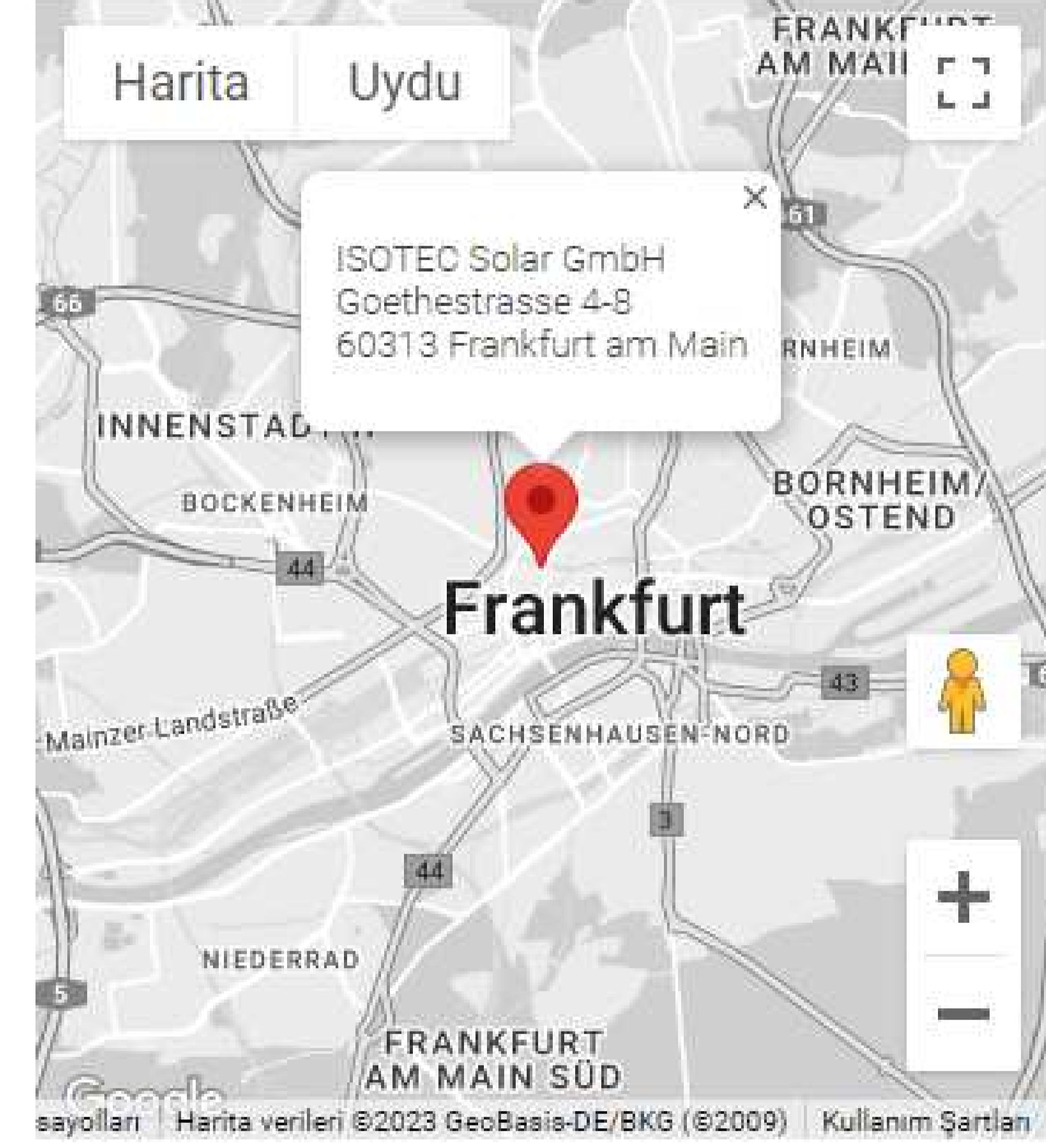
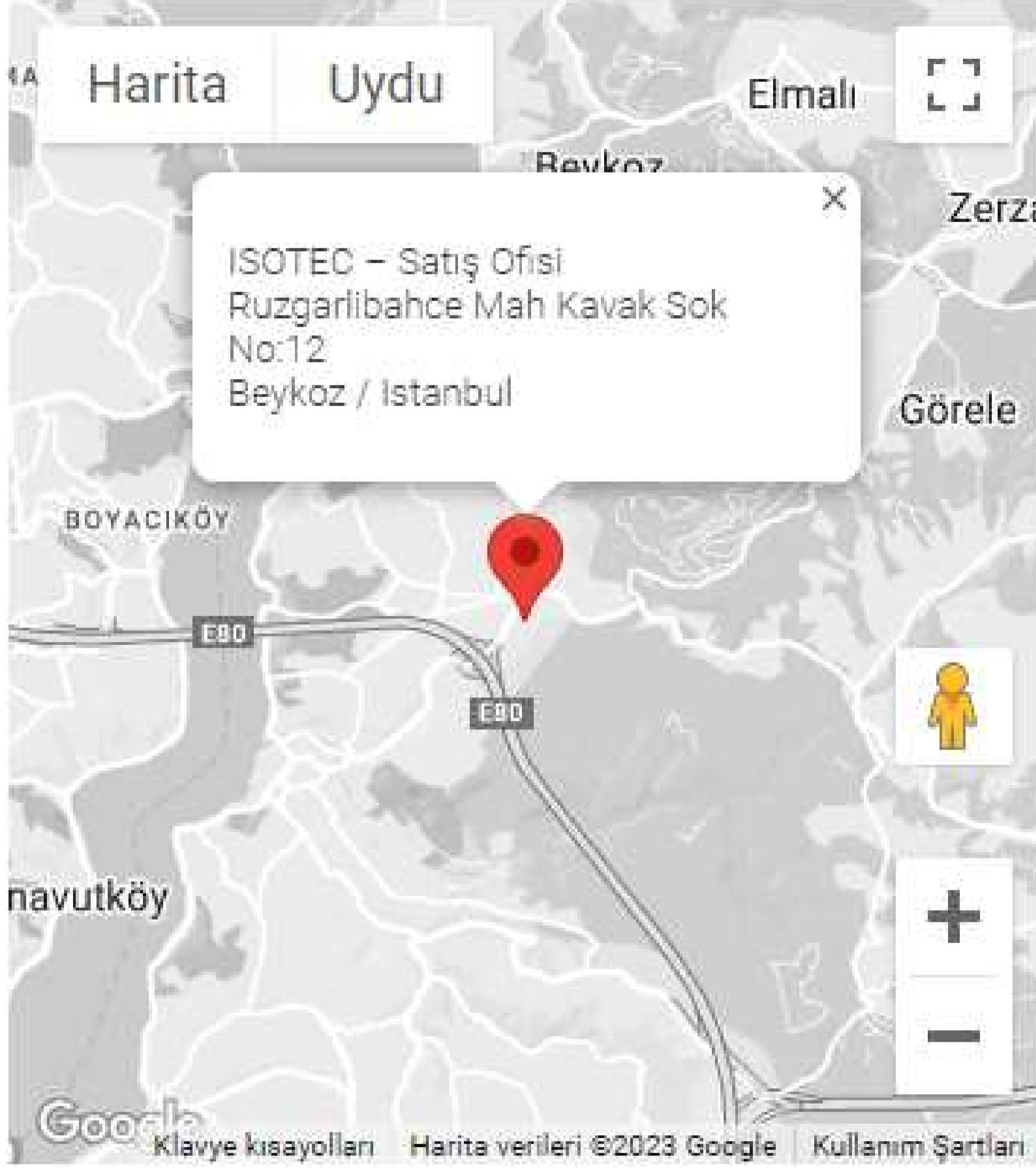
ISOTEC Solar GmbH



Goethestrasse
4-8
60313 Frankfurt
am Main



Email:
info@isotecsolar.de
Phone.: +49 6924
7455 290



www.isotec.com.tr

2013

ISOTEC Turkey founded

2017

A total of 1 GW of land mounting system were sold.

2020

Solar Tracking System ISOTRACKER - R&D has started.

2022

Kocaeli production facility was established

2014

Turkey's first unlicensed 5.5 MW solar power plant was installed.

2019

ISOTEC Solar GmbH (Germany) founded.

2021

A total of 1.75 GW of land and roof mounting systems were sold.

2023

Istanbul export office was established.